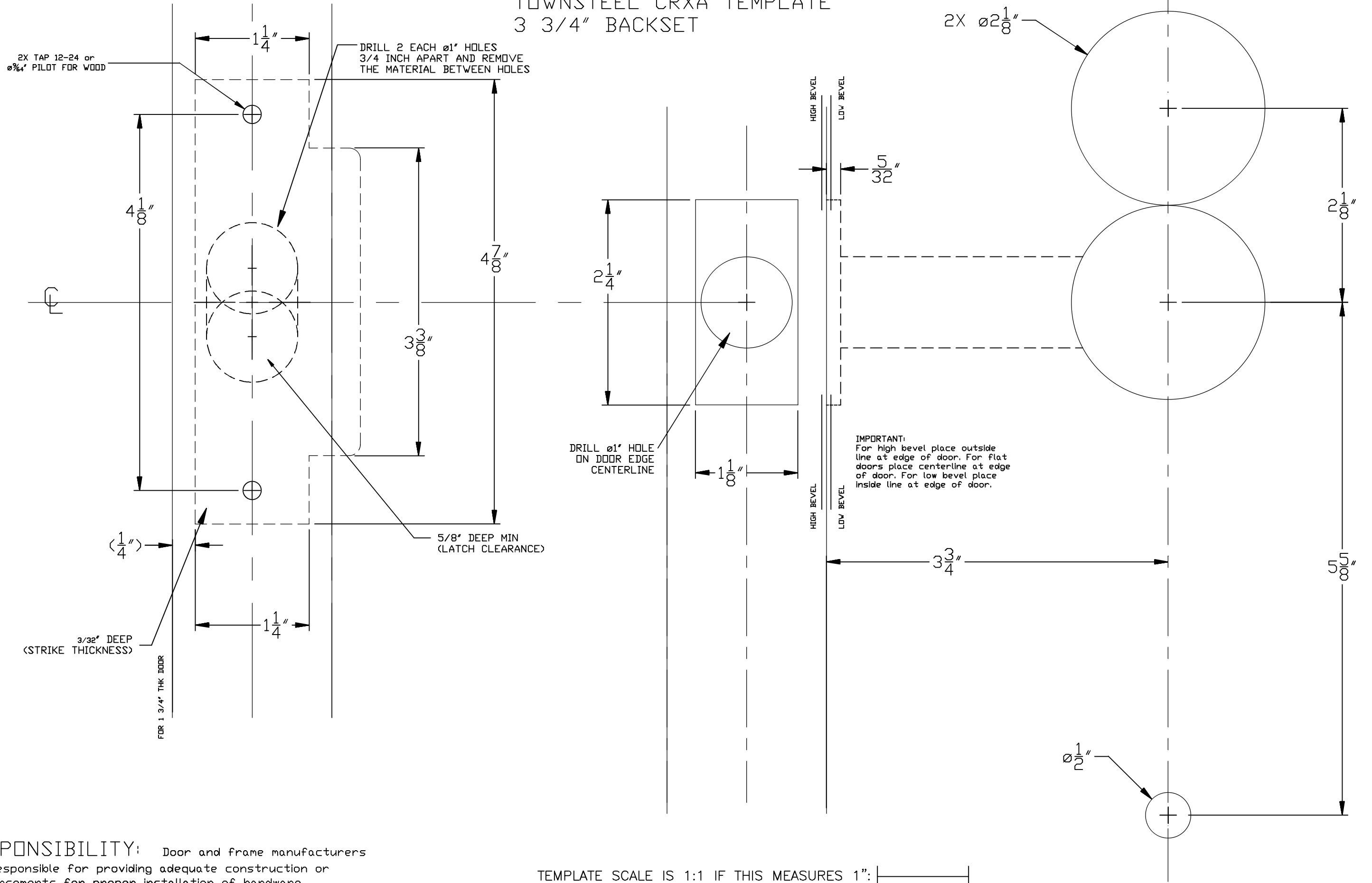


TOWNSTEEL CRXA TEMPLATE

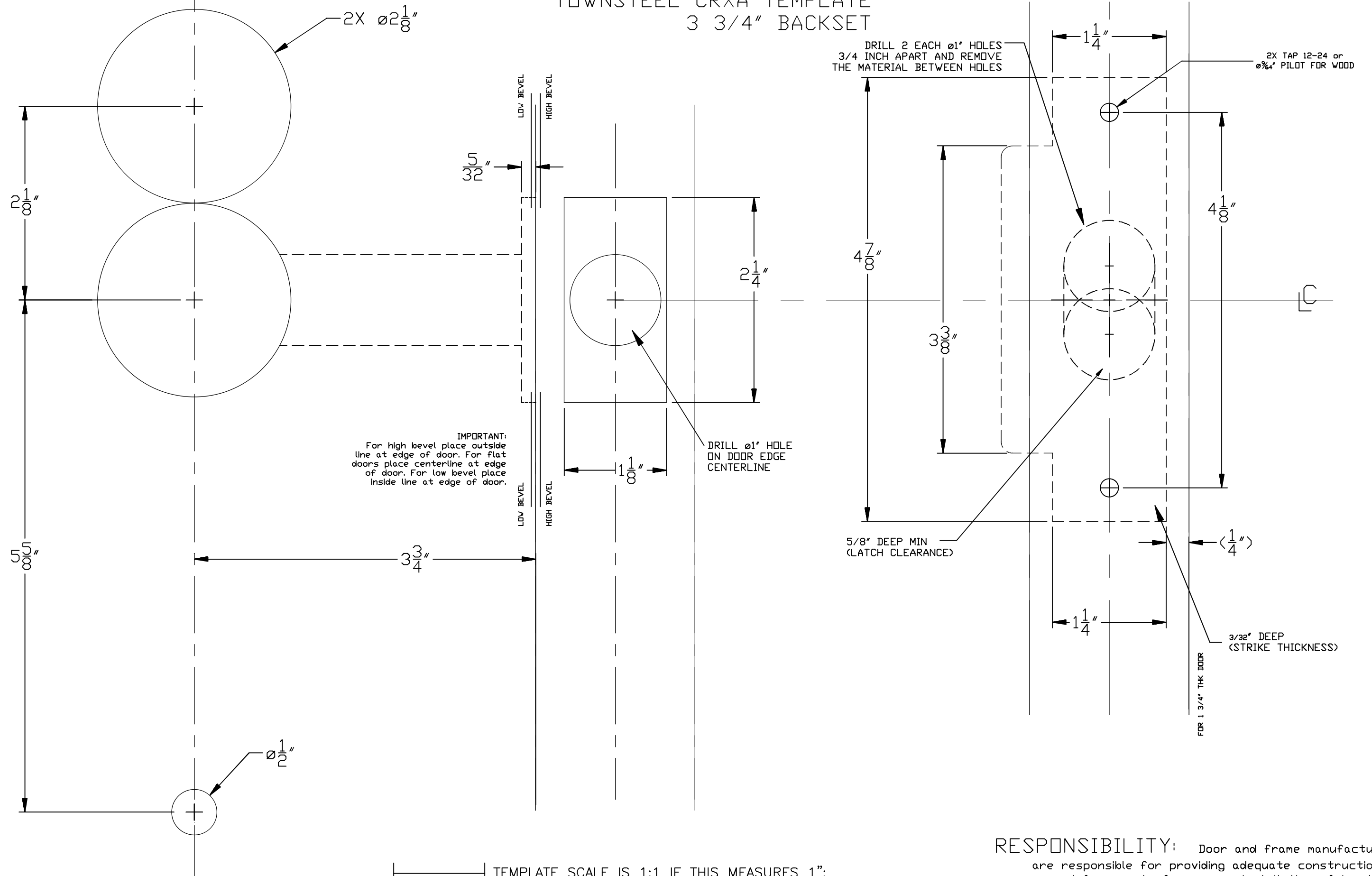
3 3/4" BACKSET



RESPONSIBILITY: Door and frame manufacturers are responsible for providing adequate construction or reinforcements for proper installation of hardware.

TEMPLATE SCALE IS 1:1 IF THIS MEASURES 1":

TOWNSTEEL CRXA TEMPLATE 3 3/4" BACKSET



TEMPLATE SCALE IS 1:1 IF THIS MEASURES 1":

RESPONSIBILITY: Door and frame manufacturers are responsible for providing adequate construction or reinforcements for proper installation of hardware.