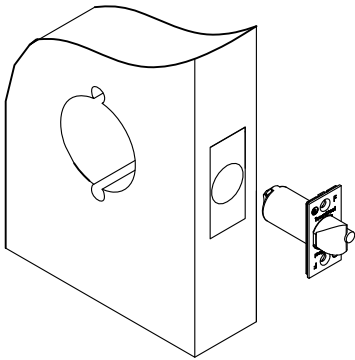


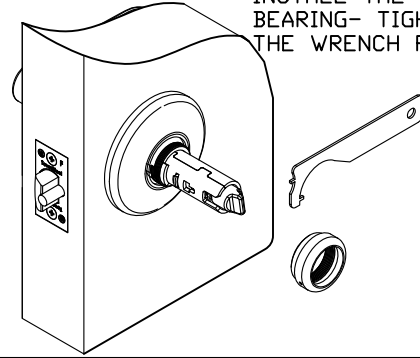
TOWNSTEEL CE CYLINDRICAL LOCK INSTRUCTIONS

STEP 1



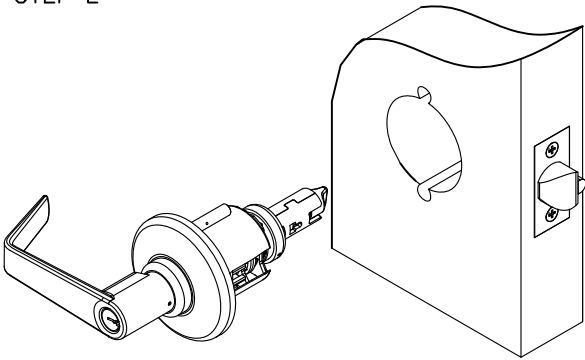
PREPARE DOOR PER TEMPLATE PROVIDED. INSTALL LATCH AS SHOWN. NOTE- BETTER TO SCREW IN THE LATCH AFTER STEP 2.

STEP 4



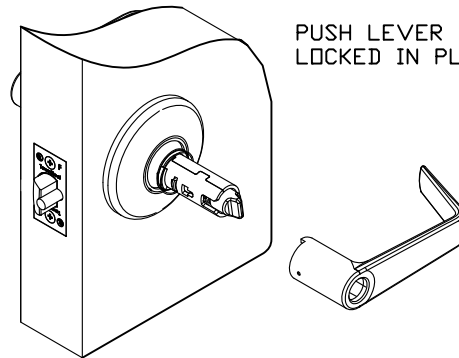
INSTALL THE INSIDE BEARING- TIGHTEN WITH THE WRENCH PROVIDED.

STEP 2



INSTALL OUTSIDE LOCK ASSEMBLY IN CUTOUT. LINE UP RETRACTOR ON LOCK BODY WITH LATCH (NOTE- EASIER TO DO THIS WITH THE LATCH LOOSE AND THEN SCREW IN THE LATCH AFTER THIS STEP)

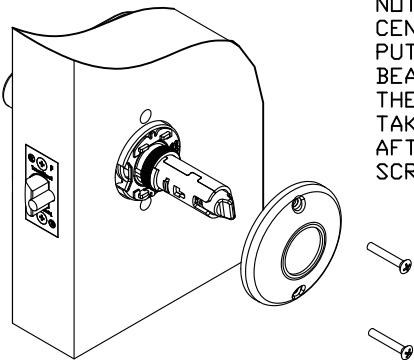
STEP 5



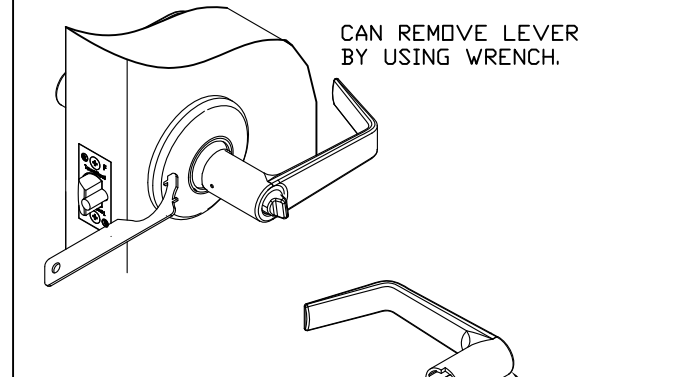
PUSH LEVER ON UNTIL LOCKED IN PLACE.

NOTE- CHECK LOCK OPERATION PRIOR TO LOCKING THE DOOR. IF THERE ARE ANY ISSUES THEY NEED TO BE FIXED PRIOR TO LOCKING THE DOOR.

STEP 3



INSTALL INSIDE MOUNTING PLATE WITH 2 SCREWS. NOTE- IT IS EASIER TO CENTER THE LOCK BY PUTTING THE INSIDE BEARING ON TO MAINTAIN THE SPACING- YOU WILL TAKE THE BEARING OFF AFTER SCREWING IN THE SCREWS.



CAN REMOVE LEVER BY USING WRENCH.

