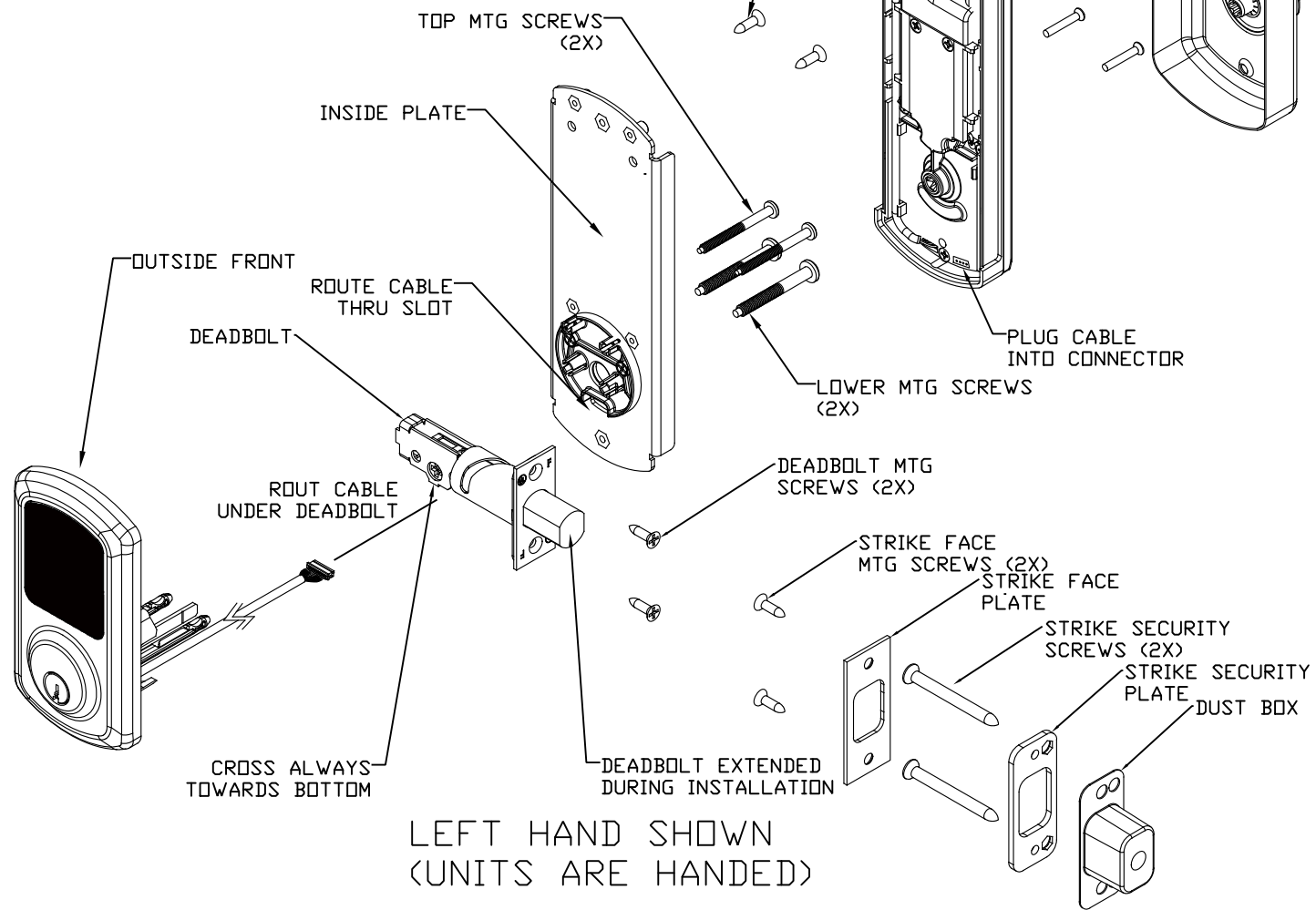
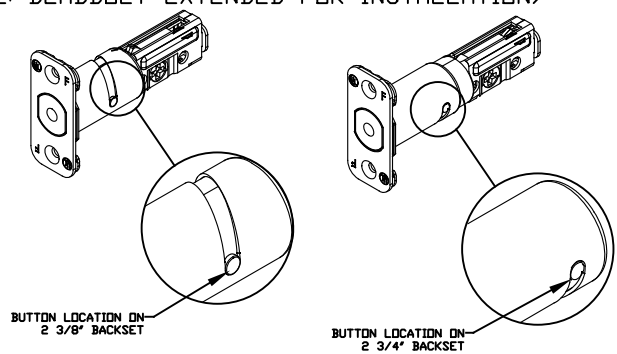


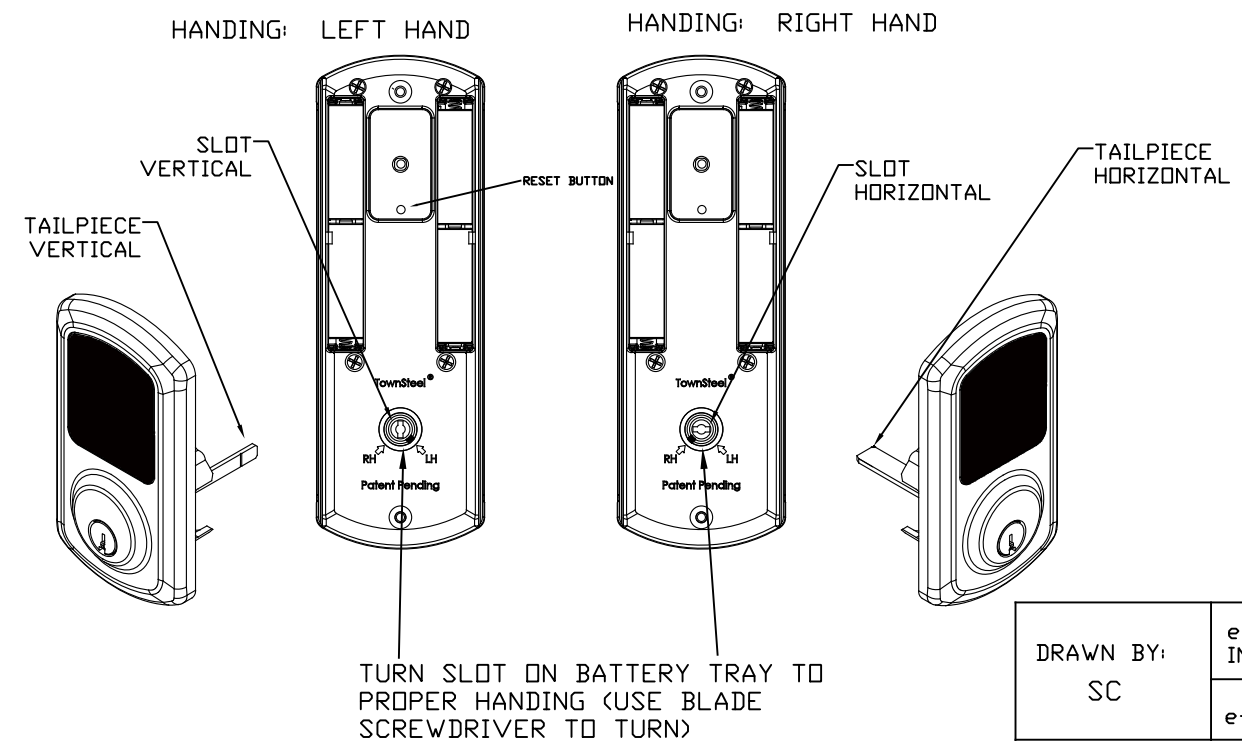
DETAIL 1

ADJUST THE BACKSET OF THE DEADBOLT BY TWISTING. (NOTE: DEADBOLT EXTENDED FOR INSTALLATION)



e-Smart INSTALLATION GUIDE

1. PREPARE DOOR CUTOUT PER TEMPLATE.
2. ADJUST DEADBOLT BACKSET- 2 3/8" or 2 3/4" (SEE DETAIL 1).
3. INSTALL DEADBOLT- CROSS TOWARD BOTTOM. SECURE WITH 2 SCREWS. DEADBOLT TO BE EXTENDED FOR INSTALLATION.
4. SET THE TAIL PIECE ON THE OUTSIDE FRONT- HORIZONTAL FOR RH, VERTICAL FOR LH.
5. POSITION OUTSIDE FRONT- TAIL PIECE THRU CROSS ON DEADBOLT AND 2 PLASTIC ALIGNMENT POSTS THRU THE DEADBOLT HOLES. ROUTE THE CABLE UNDER THE DEADBOLT.
6. POSITION THE INSIDE PLATE ON THE OTHER SIDE OF THE DOOR. ROUTE WIRE THRU LOWER SLOT. PLASTIC ALIGNMENT POSTS WILL GO THRU THE HOLE ON EITHER SIDE OF THE TAIL PIECE CLEARANCE HOLE.
7. SCREW IN TOP MTG SCREWS, REMOVE PLASTIC ALIGNMENT POSTS (PULL OUT) AND SCREW IN LOWER MTG SCREWS. UPPER WOOD MTG SCREW GO IN LAST, MAKE SURE THE INSIDE PLATE IS ALIGNED VERTICALLY WHEN YOU INSERT THESE LAST 2 SCREWS.
8. SET HANDING ON BATTERY TRAY-SLOT IS HORIZONTAL FOR RH AND VERTICAL FOR LH. PLUG IN CABLE ON BATTERY TRAY. DO NOT PULL OR PINCH CABLE, MAKE SURE CABLE CONNECTOR IS SEATED.
9. POSITION BATTERY TRAY OVER INSIDE PLATE. TAIL PIECE THRU SLOT. SECURE WITH 4 BATTERY TRAY MTG SCREWS. NOTE: DO NOT PINCH CABLE.
10. ADD BATTERIES TO BATTERY TRAY. SEE PROGRAMMING MANUAL FOR OPERATION- SEE PAGE ON HOW TO SET HANDING BEFORE YOU OPERATE THE LOCK.
11. POSITION INSIDE COVER AND SECURE WITH COVER MTG SCREWS.
12. ADD STRIKE- DUST BOX, SECURITY PLATE, FACE PLATE- DEADBOLT SHOULD ENTER INTO THE STRIKE WITHOUT BINDING OR ANY OBSTRUCTION. ANY FRICTION WITH STRIKE AND DEADBOLT WILL CAUSE AN ISSUE.
13. TEST OPERATION OF THE LOCK BEFORE LOCKING THE DOOR.



DRAWN BY: SC	e-Smart 4000/5000 INSTALLATION INSTRUCTIONS
	PART#: e-Smart 4000/5000 INSTRUCTIONS
DATE: 3/4/19	TownSteel