

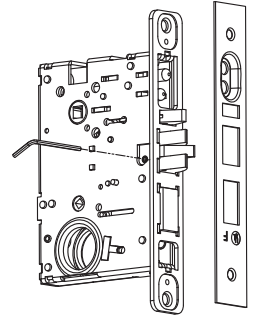
Heavy Duty Commercial Mortise Lock “Easily Field Reversible”

INSTALLATION GUIDE

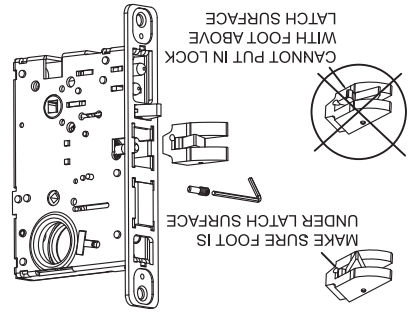
Mortise handing change instruction

Change the latchbolt position

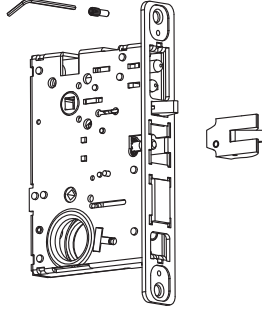
1. Remove special screw with provided allen wrench



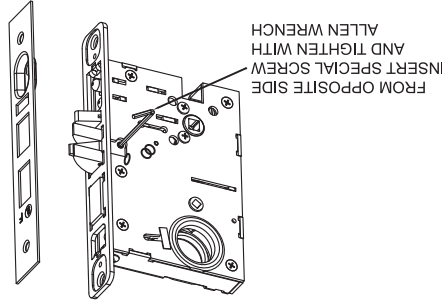
3. Rotate Latch bolt 180° and reinstall into lock, pushing the latch bolt into the lock and then releasing.



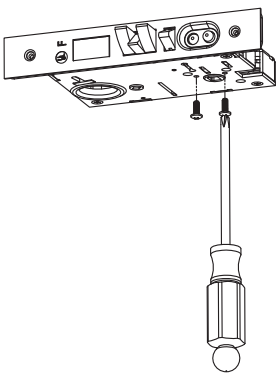
2. Pull latch bolt out of lock



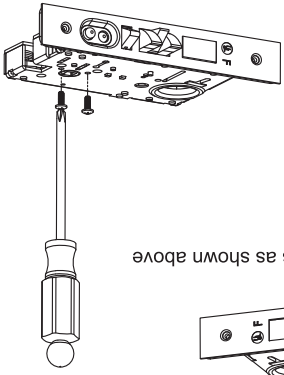
4. Reinstall the special screw and tighten securely with the provided allen wrench.



1. Remove 2 screws as shown above



2. Turn lock over to opposite side and reinstall screws as shown above. To ensure locking slide does not bind, manually push to the desired side or alternate tightening each screw every 2-3 turns.



Change the locking slide position