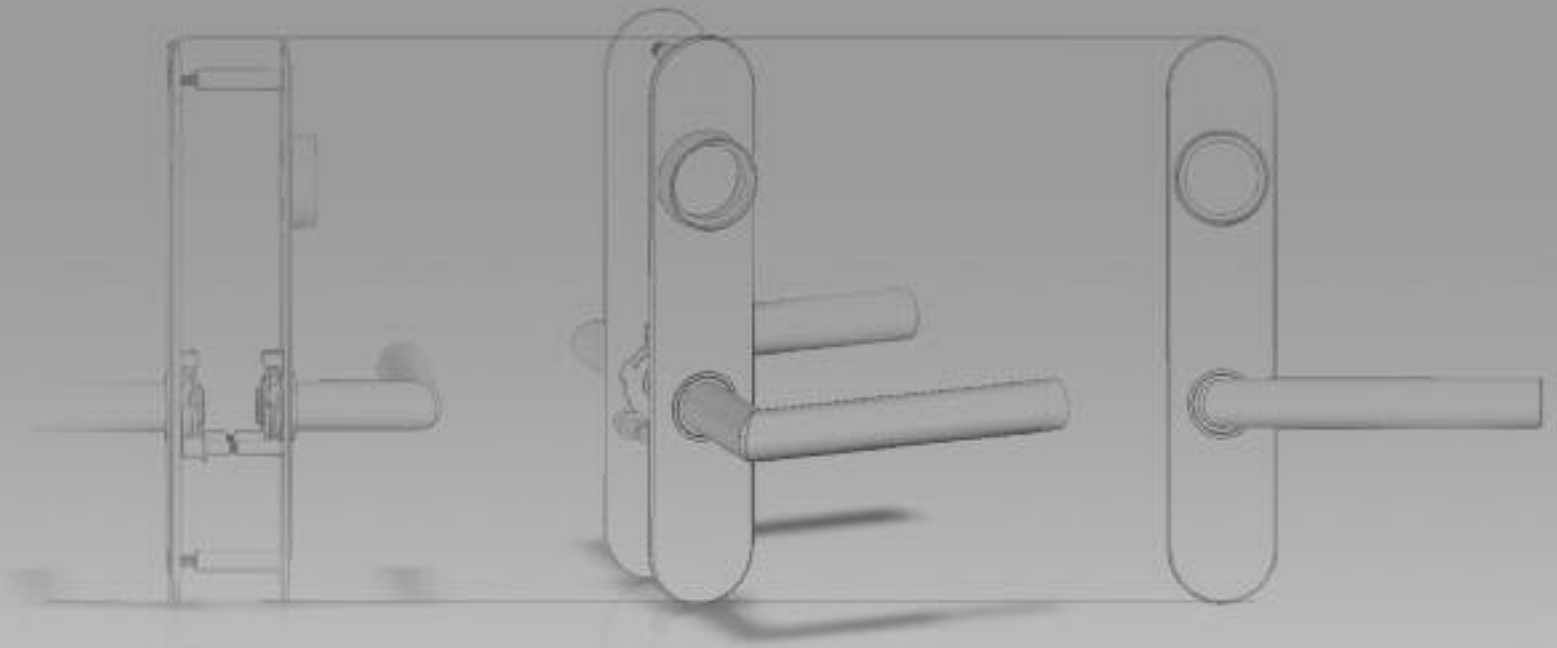




MS Series Mortise Locksets
TL Series Tubular Latchsets
& Designer Levers

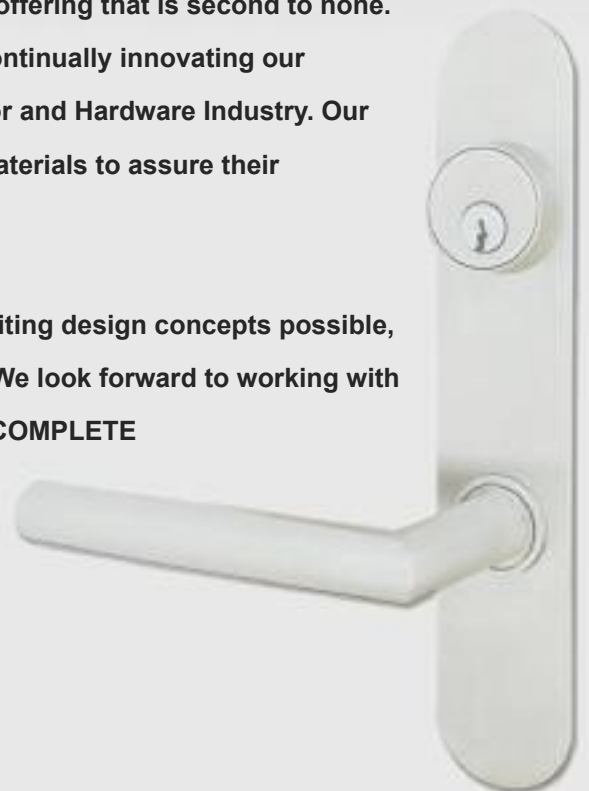




TownSteel is pleased to present the MS Series of Commercial and Designer Locks. The MS Series incorporates the latest in designer levers and trims with the industry's highest quality Mortise Locks and Tubular Latch sets. Over 60 lever designs and numerous rose configurations, the MS Series line allows you to design the door lock appearance and stay consistent throughout your project.

TownSteel has been manufacturing high quality commercial and residential grade hardware for over 20 years. We take pride in our ability to maintain a product offering that is second to none. With a talented and dedicated engineering team, TownSteel is continually innovating our product line to assure that we are on the cutting edge of the Door and Hardware Industry. Our trims are made of the finest quality Stainless Steel and Plated materials to assure their longevity.

TownSteel has the goal of offering the most imaginative and exciting design concepts possible, limited only by the physical confines of the product and codes. We look forward to working with you to bring your project in ON TIME, ON BUDGET, and to your COMPLETE SATISFACTION.



Commercial Locks



MSS-R



MSE-R

Commercial Locks



MSE-F



MSE-W

Designer Locks- Vintage



MSE-V



MSS-V

Designer Locks-Lynex Set



MSE-S



TLL-S

Designer Locks-Delano Set



MSS-S



TLL-S

Designer Locks-Wales Set



MSE-L



TLL-L

Designer Locks-Lubeck Set



MSE-O



TLL-F

Designer Locks-Malmo Set



MSS-L

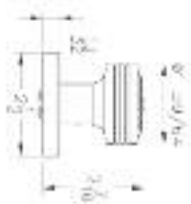


TLL-L

Plated Knobs and Levers



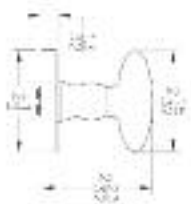
Blaine



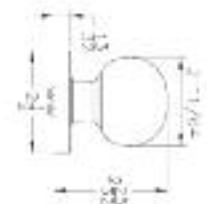
Madrid



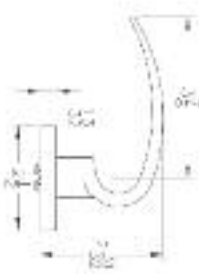
Oviado



Regal



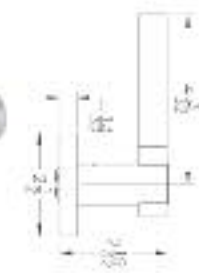
Artistic



Bergen



Bonn-short



Bonn



Plated Knobs and Levers



Box



Brighton



Buff



Coburn



Congress



Dane



Delano



Dublin

Plated Knobs and Levers



Even



Fin



Gala



Genoa



Greek



Imperial



Monaco



Oliva

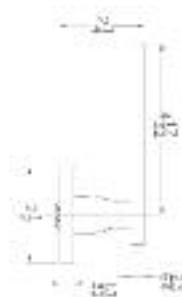
Plated Knobs and Levers



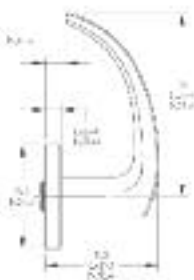
Olo



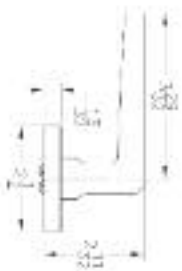
Pilen



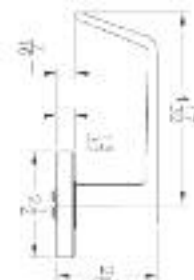
Quest



Rio



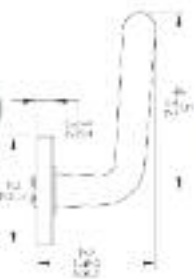
Sentinel



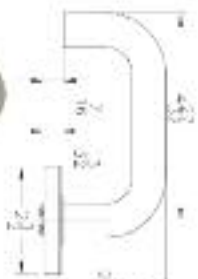
Swindon



Sydney



Tango



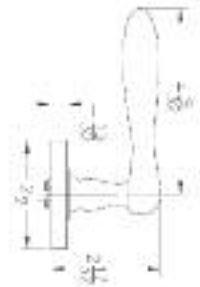
Plated Knobs and Levers



Thames



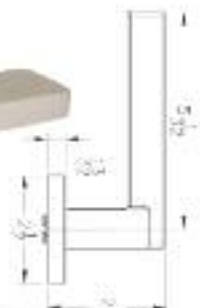
Turcony



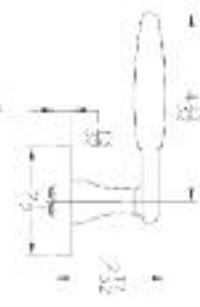
Verona



Vienna



Windsor



Zurich



Standard Thumb Turn



Classic Visible



Classic Concealed



ADA



Classic Square



Modern



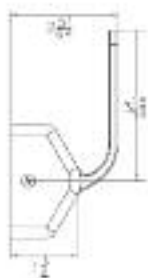
Vintage

Optional Thumb Turn

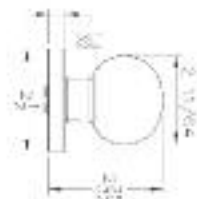
Stainless Steel Knobs and Levers



Push/Pull



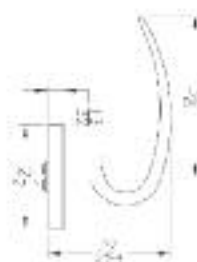
Regal



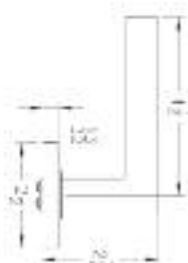
NSL



Artistic



Dyer



Congress



Cork



Cork-X



Stainless Steel Knobs and Levers



Delano



Firenze



Flora



Foxton



Gala



Genoa



Imperial



Katie

Stainless Steel Knobs and Levers



Lapaz



Lido



Lubeck



Lynex



Malmo



Minik



Norse

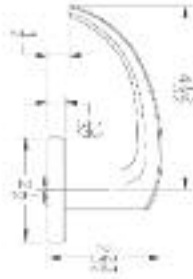


Oland

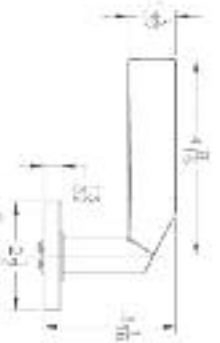
Stainless Steel Knobs and Levers



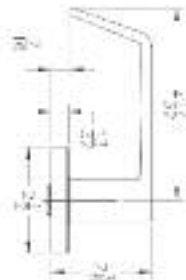
Quest



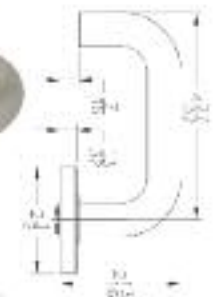
Rigo



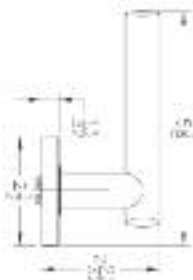
Sentinel



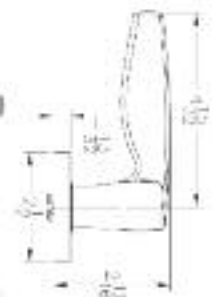
Iango



Union



Wales



Standard Thumb Turn



Classic Visible

Optional Thumb Turn



Classic Concealed



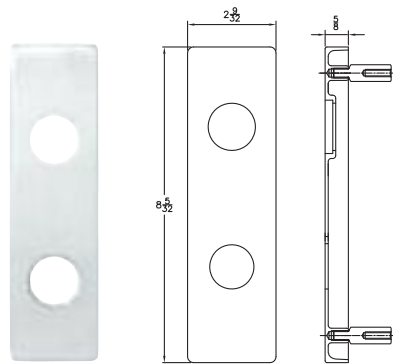
Classic Square



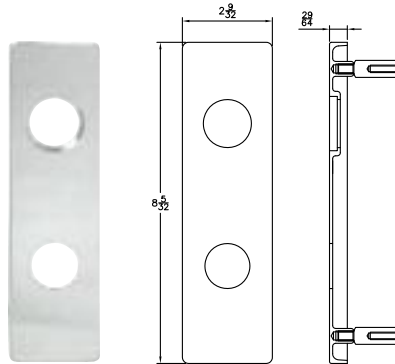
ADA

Mortise Lock Ordering

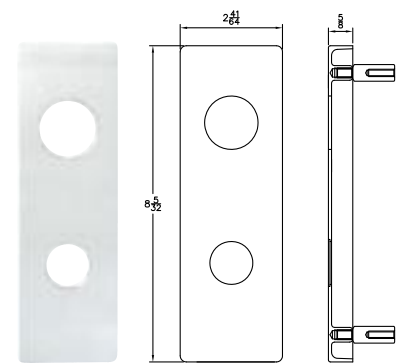
Escutcheon Styles



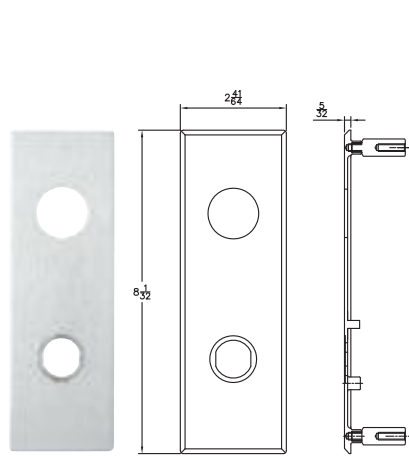
Regular (R)



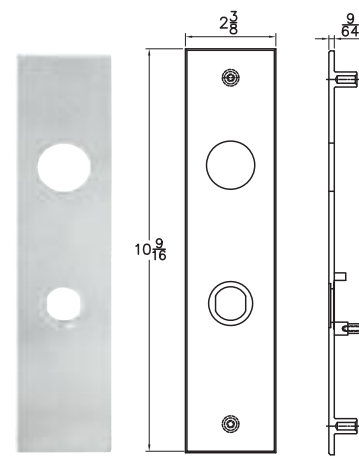
Low (L)



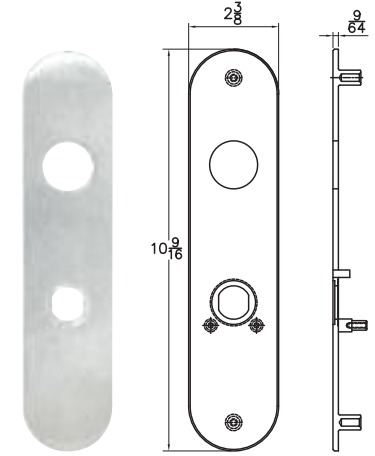
Wide (W)



Flat (F)

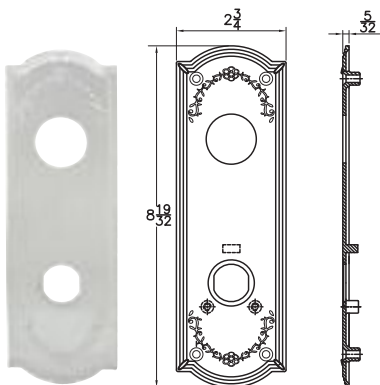


Square (S)

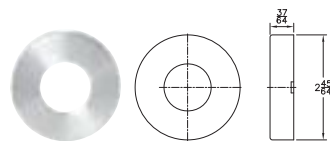


Oval (O)

Sectional Rose Styles



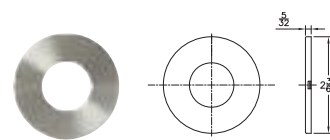
Vintage (V)



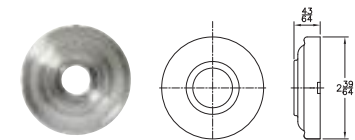
Regular (R)



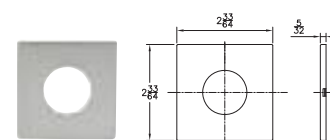
Low (L)



Flat (F)



Vintage (V)



Square (S)

Mortise Lock Ordering

Features

- ANSI Grade 1 Heavy-Duty Mortise Lock
- Door Thickness: 1 3/4" Standard, Other Door Thickness available upon request.
- Backset 2 3/4"
- Armored Front Plate
- Stainless Steel Deadbolt with 1" Throw
- Anti-Saw Deadbolts with Hardened Pins
- Stainless Steel Latchbolt
- Tamper Proof Cylinder Collar
- Rocker Type Stop Works, Stainless Steel
- Handing is Field Reversible
- Available In 8 BHMA Finishes
- Keyway-Schlage C (standard)
- UL Listed 3-Hour Fire Rating
- 3-year Manufacturer's Limited Warranty
- Matching designs available on our Tubular series Locksets.

Specifications

Mortise Lock- Sectional or Escutcheon models and series. ANSI Grade 1

Code Compliance

- ANSI A-156.13-2005
- ADA Barrier Free Accessibility on All Lever Designs
- UL Listed 3-Hour Fire Rating



Available Finishes

| US3(605) | US4(606) | US10B(613) | US15(619) | US26(625) | US26D(626) | US32(629) | US32D(630) |
|--------------|-------------|-------------------|--------------|---------------|--------------|------------|------------|
| Bright Brass | Satin Brass | Oil Rubbed Bronze | Satin Nickel | Bright Chrome | Satin Chrome | Bright SST | Satin SST |

Options

- Strike- Brass or Stainless Steel, 1 1/4" x 4 7/8". Lipped ANSI strike
- Many other lever designs available, consult TownSteel for more information
- Available with I.C. and Security Cylinder



- Electrified Mortise



Clutching Features

- Mortise Lock with Clutching mechanism
- Levers rotate up and down freely in the locked or unlocked positions
- Meet ANSI A156.13 Grade 1 requirements
- UL listed 3-hour fire rating
- Handing field reversible
- Patent pending

Electrified Features

- Designed to handle single opening, stand alone applications or can be readily integrated into sophisticated access control systems.
- Meet ANSI A156.13 Grade 1 requirements
- UL listed 3-hour fire rating
- 24VDC or 12VDC voltage
- Handing field reversible
- 3 Monitoring capabilities: Request-to-exit, Door position status, and Latch position status
- For new or retrofit applications

How To Order

| | | | | | | | |
|---------------|-------------------------------------------------------------------------------------------------------------------------------------------------------------------------------------------------------------------------------------------------------------------------------------------------------------------------------------------|--------------------------------------------------------------------------------------------------------------------------------------------------------------------------------------------------------------------------------------------------------------------------------------------------------------------------------------------------|--|--|--|--|--|
| 1.Trim Series | MSE-R (Escutcheon Regular) MSE-L (Escutcheon Low) MSE-O (Escutcheon Oval) MSE-S (Escutcheon Square) MSE-W (Escutcheon Wide) MSE-F (Escutcheon Flat) MSE-V (Escutcheon Vintage) MSS-R (Sectional Regular) MSS-L (Sectional Low) MSS-S (Sectional Square) MSS-F (Sectional Flat) MSS-V (Sectional Vintage) | Order # Example: <u>MSS-S-04-BONN-626-RH-E-IC</u> 1. Sectional Square _____ MSS-S 2. Office Function _____ 04 3. Bonn Lever _____ BONN 4. Satin Chrome _____ 626 5. Right Handed _____ RH 6. Clutching (Optional) _____ C 7. Electrified (Optional) _____ E 8. Interchangeable Core(Optional) _____ IC | | | | | |
| 2.Function | See Mortise Function Sheet | | | | | | |
| 3.Lever | See Lever Listing | | | | | | |
| 4.Finish | See Finish Listing | | | | | | |
| 5.Hand | RH LH RHR LHR | | | | | | |

Tubular Lock Ordering

Features

- 2-3/4" Backset standard, 1-1/8"x 2-1/4" Latch face plate
- Standard strike 1-1/8" x 2-3/4" "T" Strike
- Available In 8 BHMA Finishes
- Standard functions
 - Passage (TLL)
 - Privacy (TLP)
 - Dummy (TDS, TDP)
- Emergency Release- Lock will automatically unlock when the door is closed.

Options

- ANSI 1-1/4" X 4-7/8" Strike available
- Also available in 2-3/8" Backset
- Other custom designs available upon request
- Heavy duty fire rated tubular latch available upon request

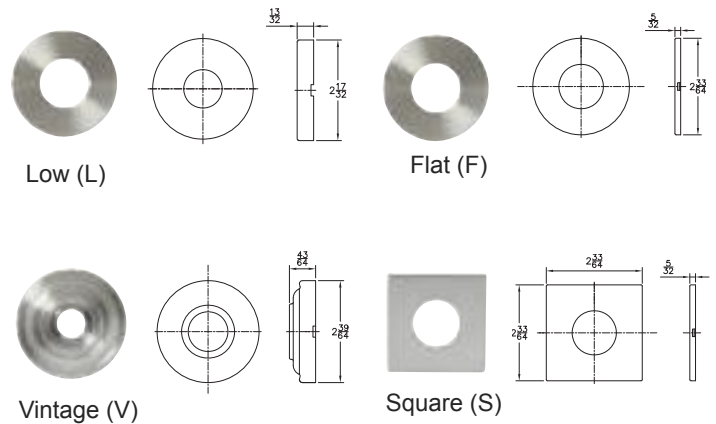
Specifications

TownSteel model series. Lever shall be solid brass, stainless steel or custom designed. Rose assembly shall be made from wrought metal.

Code Compliance

ADA Barrier Free Accessibility on All Lever Designs

Rose Styles



*Escutcheon styles also available for Tubular lock

Available Finishes

| US3(605) | US4(606) | US10B(613) | US15(619) |
|---------------|--------------|-------------------|--------------|
| Bright Brass | Satin Brass | Oil Rubbed Bronze | Satin Nickel |
| US26(625) | US26D(626) | US32(629) | US32D(630) |
| Bright Chrome | Satin Chrome | Bright SST | Satin SST |

How To Order

| | | |
|---------------|--------------------------------------------------------------------------|----------------------------------------------------------------------------------------------------------------------------------------------------------------------------------------------|
| 1.Trim Series | TLL (Passage) TLP (Privacy) TDS (Dummy Single) TDP (Dummy Pair) | Order # Example: <u>TLL-L-2-3/4"-Oslo-626</u> 1. Passage _____ TLL 2. Low Trims _____ L 3. Backset _____ 2-3/4" 4. Oslo Lever _____ Oslo 5. Satin Chrome _____ 626 |
| 2.Rose | S (Square), L (Low), V (Vintage), F (Flat) | |
| 3.Backset | 2-3/8", 2-3/4" | |
| 4.Lever | See Lever Listing | |
| 5.Finish | See Finish Listing | |

MS Series Designer Project References



Barn

-Mansion,
Washington DC
-Blaine Mansion,
Washington DC



Buff

-Marriott Townplace Suites,
Statesboro, GA



Dane

-WCI Watermark Towers,
North Bergen, NJ



Dublin

-Granite Park Place,
Pasadena, CA
-Mexico City, Mexico



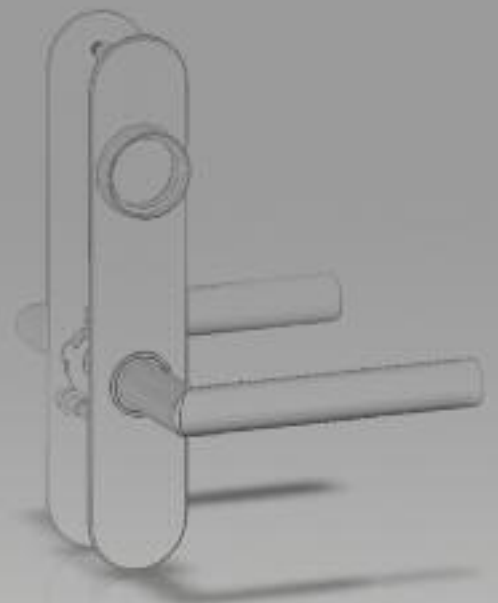
Essen

-Fountainsbleu Hotel,
Las Vegas, NV
-Golden Nugget Hotel,
Las Vegas, NV
-Mandarin Penthouse/Residence,
Las Vegas, NV
-Wolfgang Puck,
Las Vegas, NV



Fin

-NINI/1st Bank,
-229 Duffield Street Hotel,
New York, NY



Malmo

-350 Wadsworth Avenue,
New York, NY



Dyla

-Naval Square,
Philadelphia, PA



Ria

-13-10 Jackson Ave,
Long Island City, NY



Turcany

-The St. Regis Hotel,
New York, NY



Verona

-325 East 101st, Floors 3 thru 8,
New York, NY



Zurich

-WCI Watermark Towers,
North Bergen, NJ



707 N. Barranca Ave., Bldg#6 Covina, CA 91723

Toll Free: 877-858-0888 | Tel: 626.858.5080 | Fax: 626.858.3393

Web: www.townsteel.com Email: sales@townsteel.com