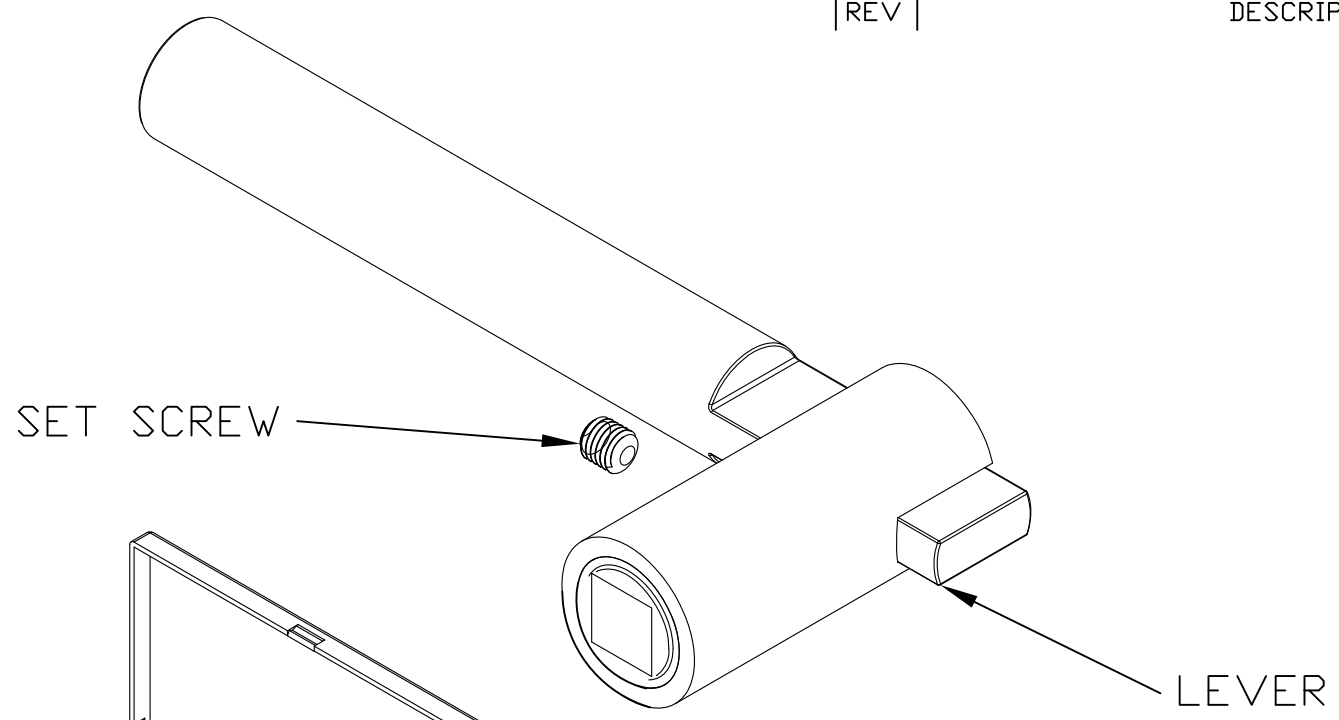
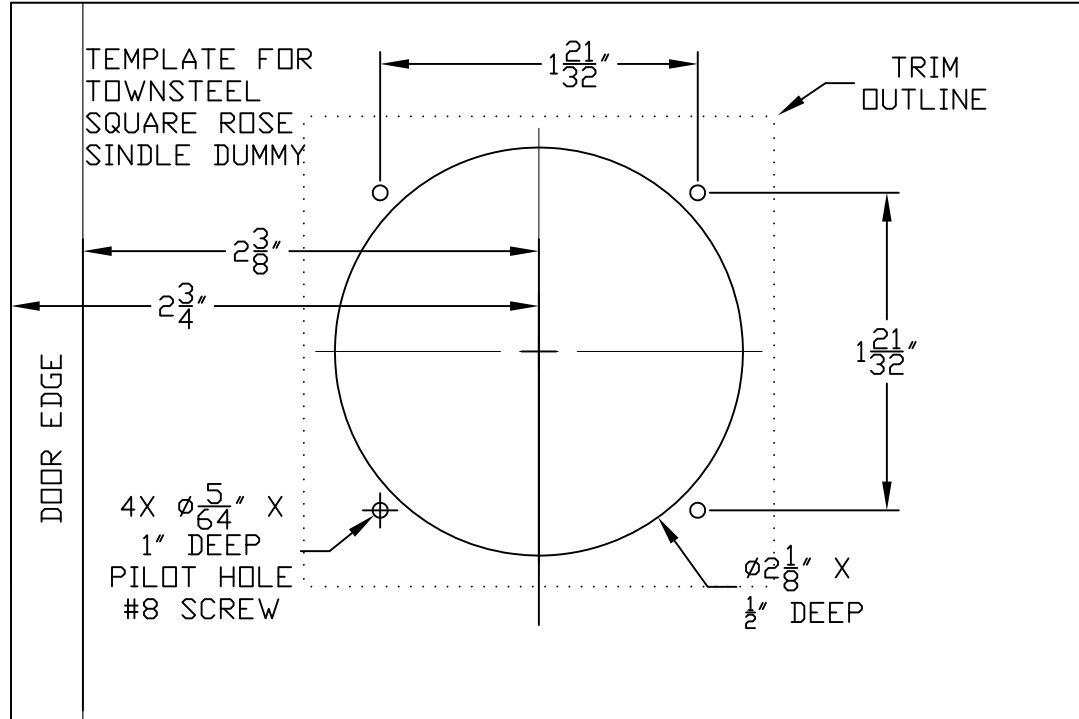


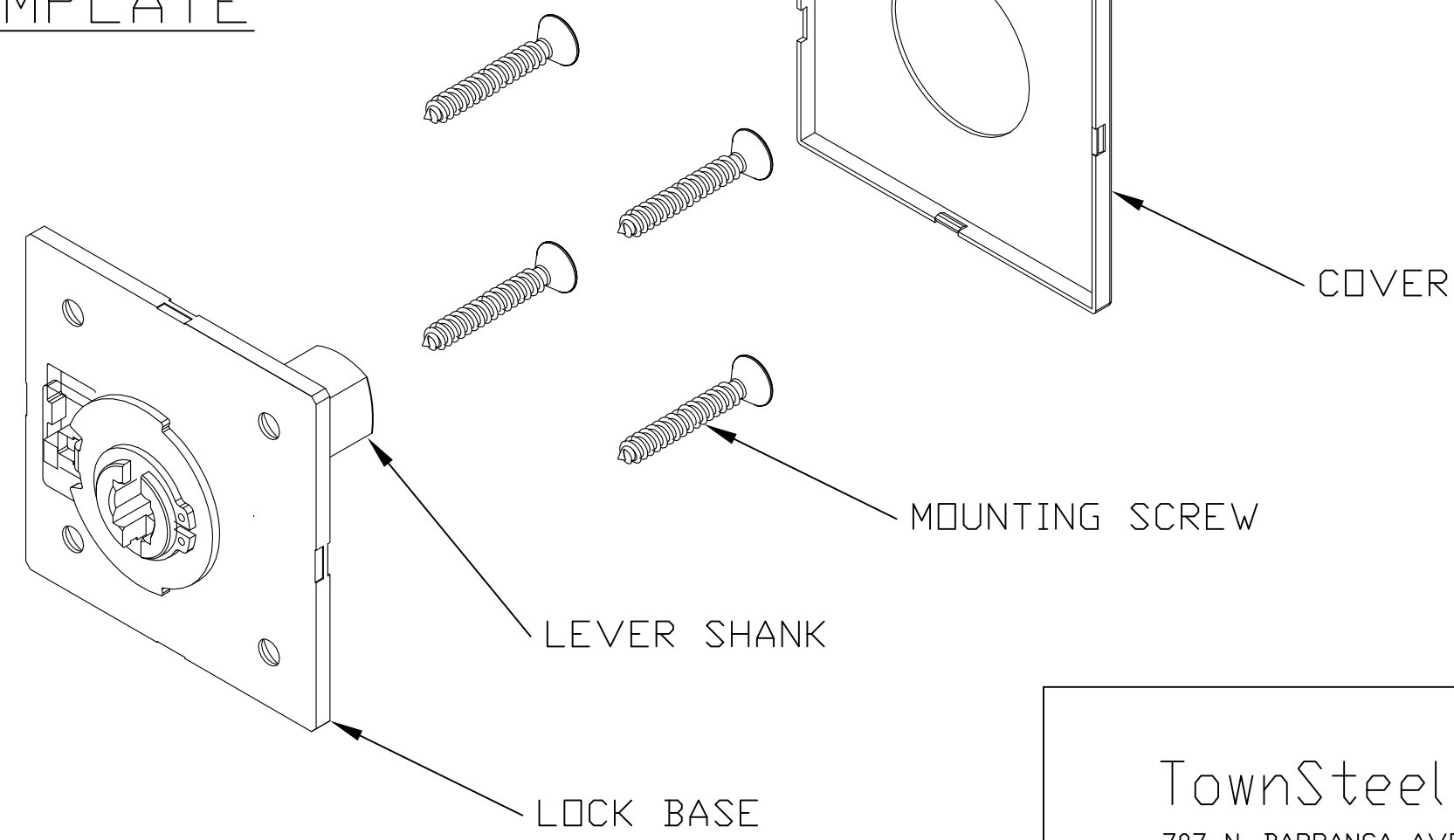
REV

DESCRIPTION

DATE



TEMPLATE



SQUARE ROSE INSTALLATION GUIDE (SINGLE DUMMY)

1. PREP DOOR USING TEMPLATE OR JIG. DRILL 4 PILOT HOLES 1st AND THEN 2 1/8" X 1/2" DEEP HOLE.
2. MOUNT LOCK BASE AS SHOWN USING THE MOUNTING SCREWS.
3. INSTALL COVER AND SNAP IN PLACE.
4. INSTALL LEVER ONTO LEVER SHANK AND SECURE WITH SET SCREW.

NOTE: THIS PREP IS FOR SOLID WOOD DOORS ONLY

<p>TownSteel 707 N. BARRANCA AVE #6 COVINA, CALIF 91723</p>	DRAFT UNLESS OTHERWISE SPECIFIED: 1" MAX	B	TOLERANCES UNLESS OTHERWISE SPECIFIED:	MATERIAL: NOTED
	DRAWN BY: SC		X.X (METRIC) = ±0.4 X.XX (METRIC) = ±0.15 FRACTIONS = ±.8 ANGLES = ±1/2° ◎ .12	HEAT TREAT: NA
	DATE: 5/6/11		MACHINED SURFACES 125/	FINISH: NA
			THIRD ANGLE	TITLE: ERO SQUARE SINGLE DUMMY, INSTALL GUIDE
				PART#: TDS-S GUIDE

THIS DRAWING AND THE INFORMATION CONTAINED THEREON OR DERIVED THEREFROM ARE THE CONFIDENTIAL PROPERTY OF TOWNSTEEL, INC. IT IS NOT TO BE REPRODUCED, OR DISCLOSED TO OTHERS, AND MAY BE USED ONLY FOR THE PURPOSE OF ENABLING THE PARTY TO WHOM IT HAS BEEN LOANED TO QUOTE ON OR FILL AN ORDER FOR TOWNSTEEL, INC., OR AS MAY BE OTHERWISE AUTHORIZED BY TOWNSTEEL, INC. IN WRITING.