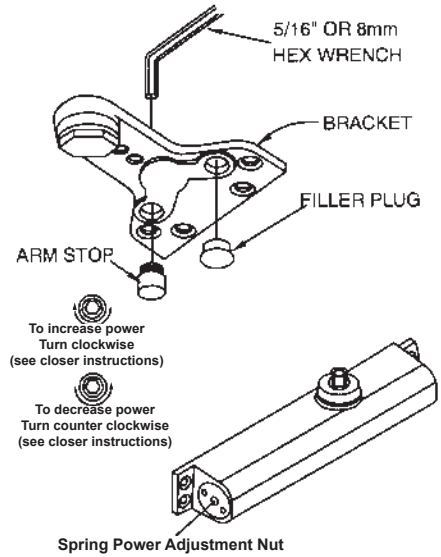
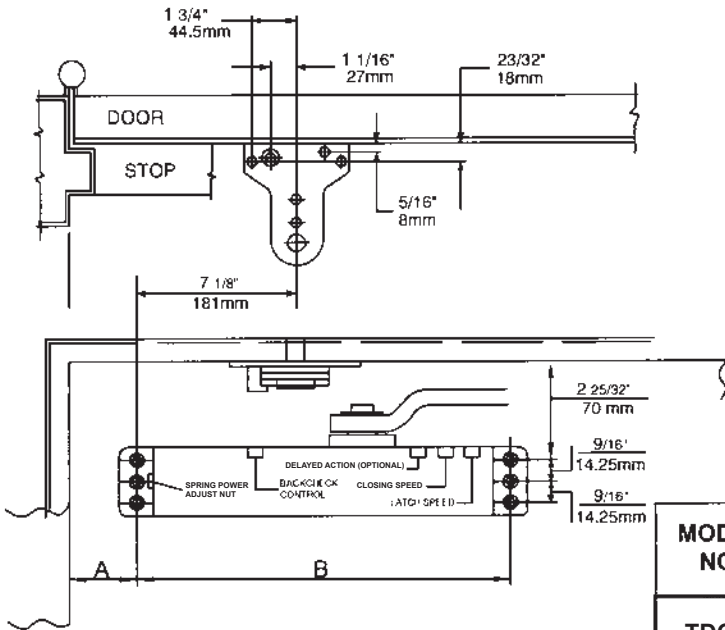


Model TDC-70

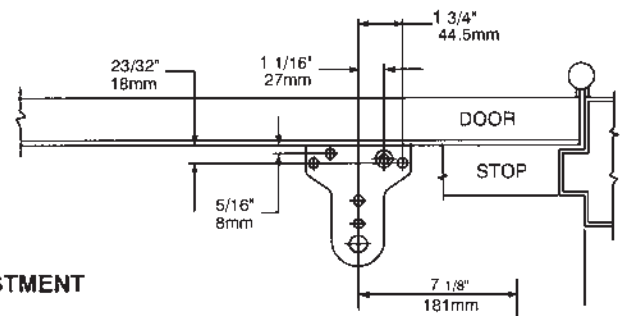
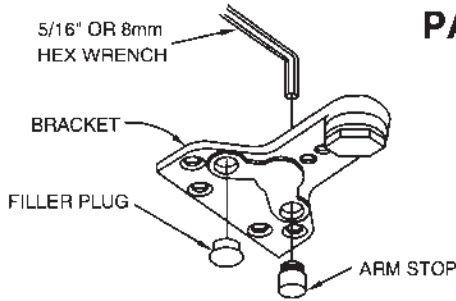
DOOR CLOSER INSTALLATION & INSTRUCTION WITH CUSH ARM

PARALLEL ARM(PUSH SIDE)Mounting LEFT HAND DOOR SHOWN



MODEL NO.	OPENING	DIMENSION	
		A	B
TDC-70	To 120°	4-10/16 (117)	11 1/8 (283)

PARALLEL ARM(PUSH SIDE)Mounting RIGHT HAND DOOR SHOWN



DOOR CLOSER ADJUSTMENT
Please refer to TDC-70 series REGULAR ARM ADJUSTMENT PAGES

