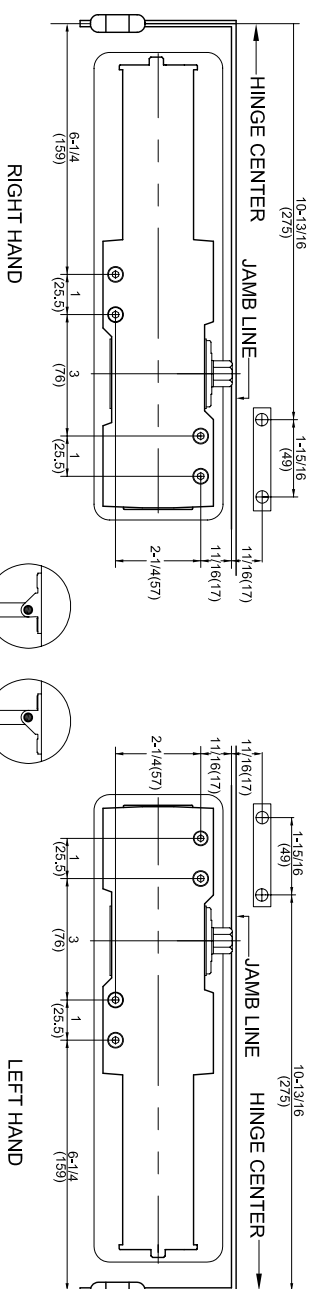




## REGULAR ARM (PULL SIDE)

### TECHNICAL DIMENSIONS:



SCREWS FOR CLOSER M6x55 OR ST6.3X75 (4)  
SCREWS FOR SHOE M6X15 OR ST6.3X30 (2)

Measured from hinge Center.

Dimensions are in inches

Dimensions are in (mm)

Do not scale drawing

### INSTALLATION STEPS:

1. Adjust spring power to match door width as indicated by chart on page 1.
2. Mount closer on door to dimensions shown, tube end toward hinge. Locate closer and shoe from center of hinge.
3. Place main arm on top shaft about 90° to closer, insert arm screw into top of shaft and tighten.
4. Attach shoe to frame as shown. If more power is required, rotate 180°.
5. Open door and insert rod in forearm, and close door.
6. With forearm at right angle to frame, insert forearm screw and tighten.

### REGULATION

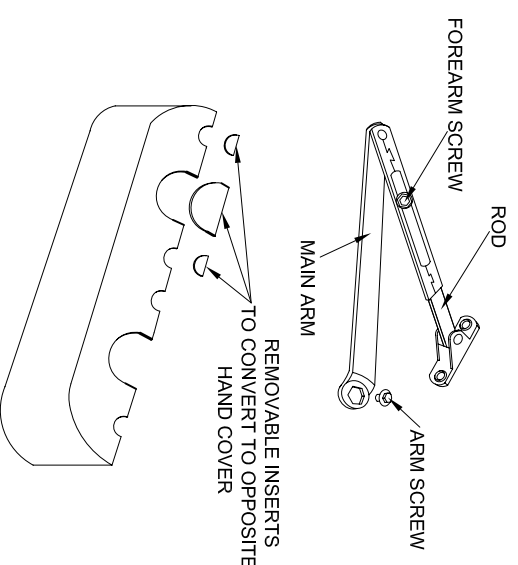
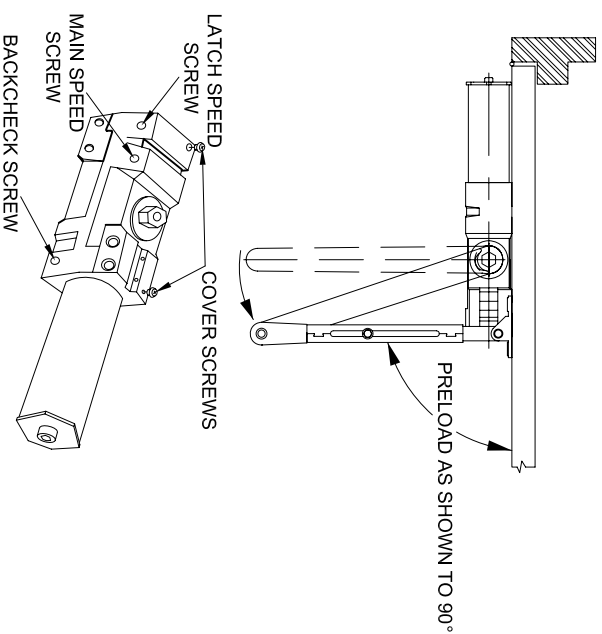
7. Do not allow door to slam into frame. A "Normal" closing time from 90° open position is from 5 to 7 seconds, evenly divided between main swing speed and latch swing speed. Use socket key (furnished) to adjust speed. To slow main speed of door, turn regulating screw nearest shaft clockwise. To slow latch speed, turn regulating screw nearest latch clockwise.

### BACKCHECK

To increase backcheck intensity turn regulating screw nearest hinge clockwise. DO NOT USE ABRUPT BACKCHECK OR EXPECT DOOR CLOSER TO ACT AS A DOOR STOP.

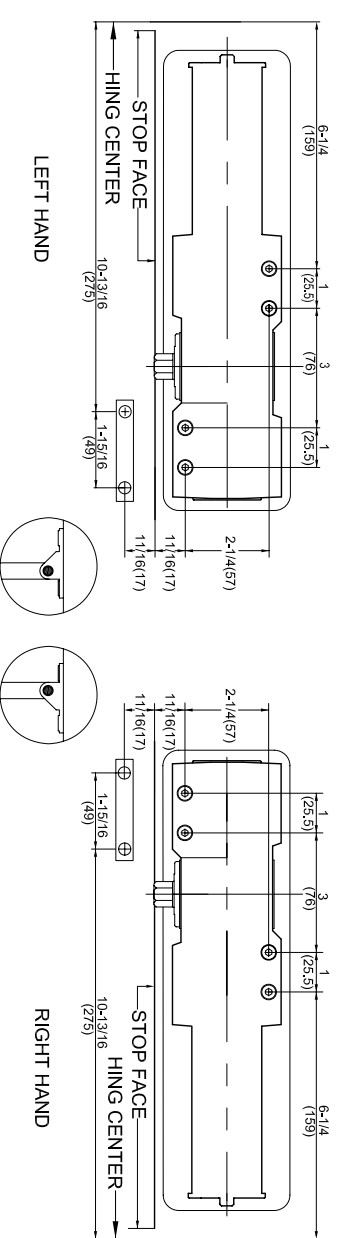
### ATTACH COVER

8. First, place inserts in proper cutouts, push cover against door closer and tighten both cover screws securely.



## TOP JAMB MOUNTING (PUSH SIDE)

### TECHNICAL DIMENSIONS:



SCREWS FOR CLOSER M6x55 OR ST6.3X75 (4)  
SCREWS FOR SHOE M6X15 OR ST6.3X30 (2)

Measured from hinge Center.

Dimensions are in inches

Dimensions are in (mm)

Do not scale drawing

### INSTALLATION STEPS:

1. Adjust spring power to match door width as indicated by chart on page 1.
2. Mount closer on door frame to dimensions shown, and tube end toward hinge. Locate closer and shoe from center of hinge.
3. Place main arm on top shaft about 90° to closer, insert arm screw into top of shaft and tighten.
4. Attach shoe to door as shown. If more power is required, rotate 180°.
5. Open door and insert rod in forearm, and close door.
6. With forearm at right angle to door, insert forearm screw and tighten.

### REGULATION

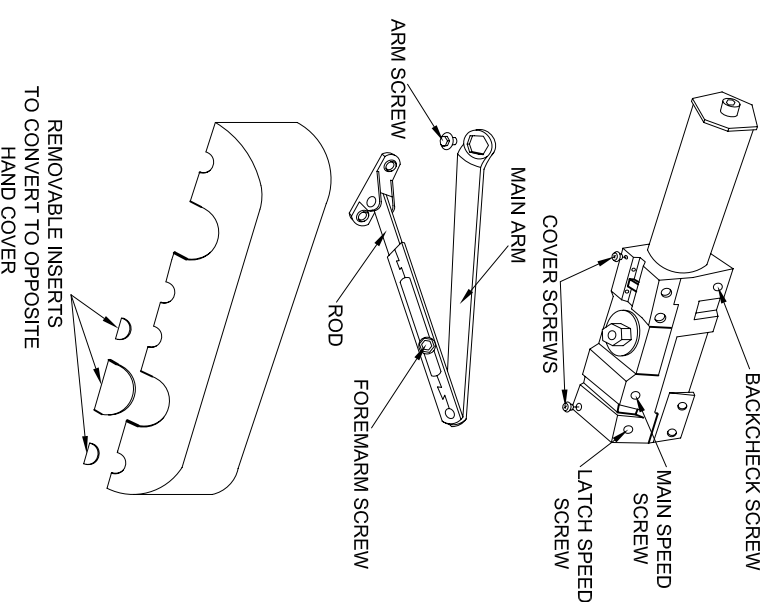
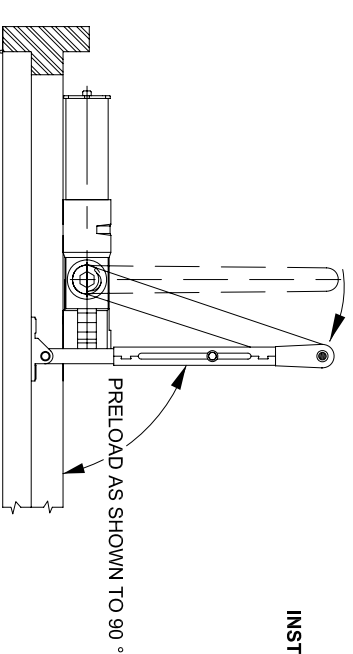
7. Do not allow door to slam into frame. A "Normal" closing time from 90° open position is from 5 to 7 seconds, evenly divided between main swing speed and latch swing speed. Use socket key (furnished) to adjust speed. To slow main speed of door, turn regulating screw nearest shaft clockwise. To slow latch speed, turn regulating screw nearest latch clockwise.

### BACKCHECK

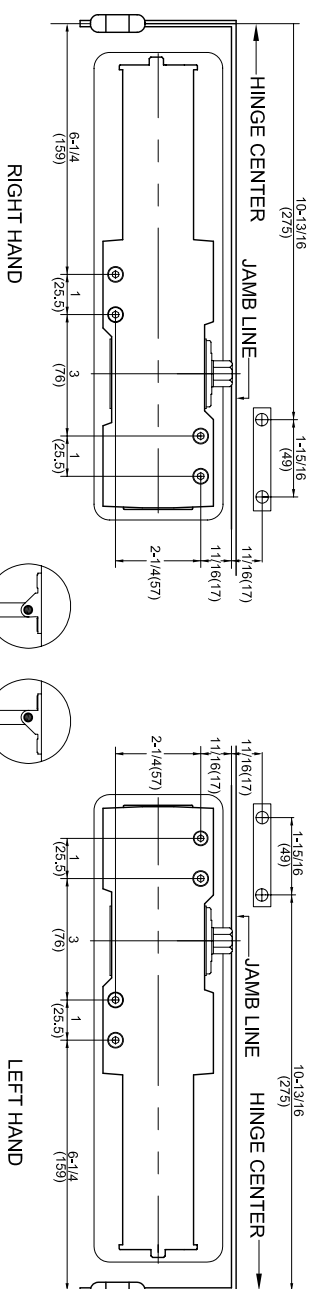
To increase backcheck intensity turn regulating screw nearest hinge clockwise. DO NOT USE ABRUPT BACKCHECK OR EXPECT DOOR CLOSER TO ACT AS A DOOR STOP.

### ATTACH COVER

8. First, place inserts in proper cutouts, push cover against door closer and tighten both cover screws securely.



### TECHNICAL DIMENSIONS:



SCREWS FOR CLOSER M6x55 OR ST6.3X75 (4)  
SCREWS FOR SHOE M6X15 OR ST6.3X30 (2)

Measured from hinge Center.

Dimensions are in inches

Dimensions are in (mm)

Do not scale drawing

### INSTALLATION STEPS:

1. Adjust spring power to match door width as indicated by chart on page 1.
2. Mount closer on door to dimensions shown, tube end toward hinge. Locate closer and shoe from center of hinge.
3. Place main arm on top shaft about 90° to closer, insert arm screw into top of shaft and tighten.
4. Attach shoe to frame as shown. If more power is required, rotate 180°.
5. Open door and insert rod in forearm, and close door.
6. With forearm at right angle to frame, insert forearm screw and tighten.

### REGULATION

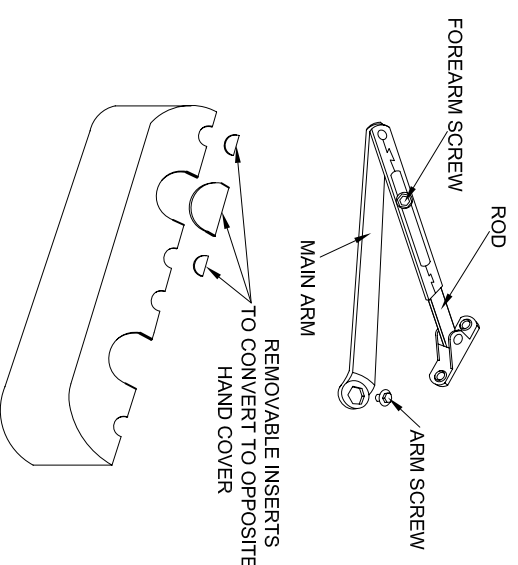
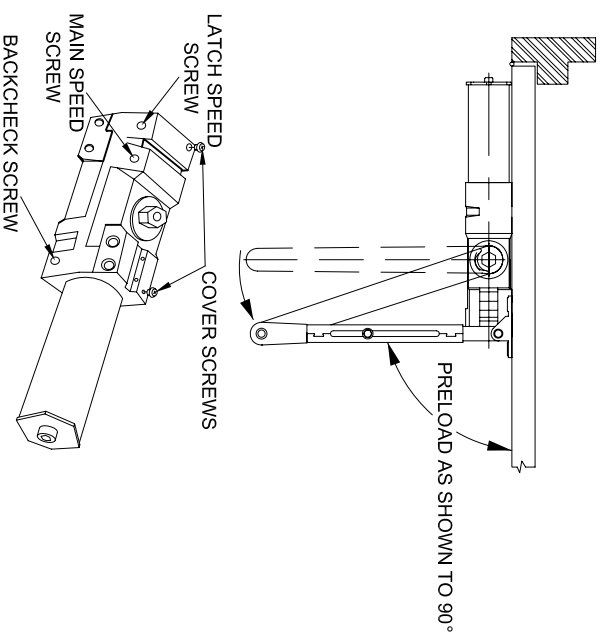
7. Do not allow door to slam into frame. A "Normal" closing time from 90° open position is from 5 to 7 seconds, evenly divided between main swing speed and latch swing speed. Use socket key (furnished) to adjust speed. To slow main speed of door, turn regulating screw nearest shaft clockwise. To slow latch speed, turn regulating screw nearest latch clockwise.

### BACKCHECK

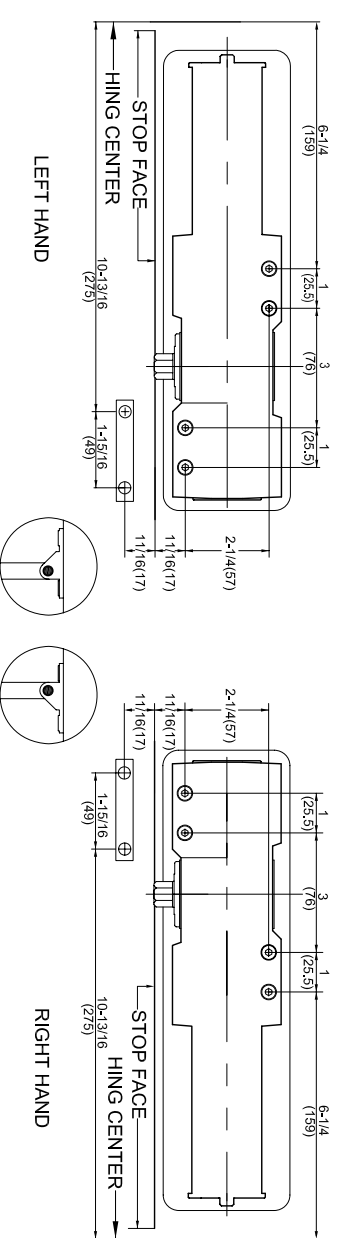
To increase backcheck intensity turn regulating screw nearest hinge clockwise. DO NOT USE ABRUPT BACKCHECK OR EXPECT DOOR CLOSER TO ACT AS A DOOR STOP.

### ATTACH COVER

8. First, place inserts in proper cutouts, push cover against door closer and tighten both cover screws securely.



### TECHNICAL DIMENSIONS:



SCREWS FOR CLOSER M6x55 OR ST6.3X75 (4)  
SCREWS FOR SHOE M6X15 OR ST6.3X30 (2)

Measured from hinge Center.

Dimensions are in inches

Dimensions are in (mm)

Do not scale drawing

### INSTALLATION STEPS:

1. Adjust spring power to match door width as indicated by chart on page 1.
2. Mount closer on door frame to dimensions shown, and tube end toward hinge. Locate closer and shoe from center of hinge.
3. Place main arm on top shaft about 90° to closer, insert arm screw into top of shaft and tighten.
4. Attach shoe to door as shown. If more power is required, rotate 180°.
5. Open door and insert rod in forearm, and close door.
6. With forearm at right angle to door, insert forearm screw and tighten.

### REGULATION

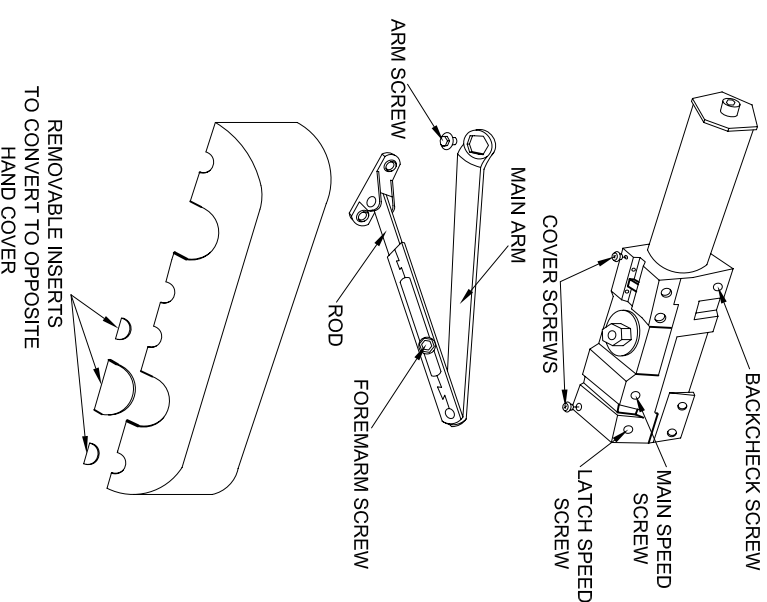
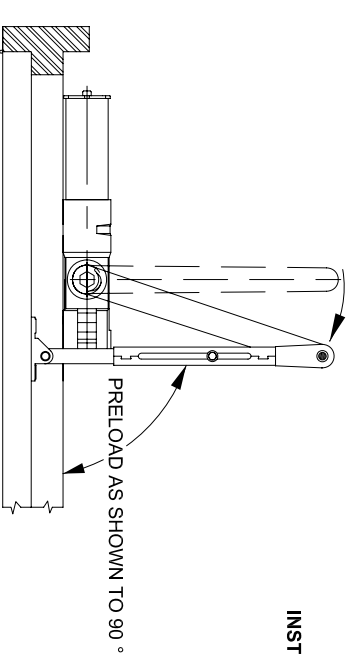
7. Do not allow door to slam into frame. A "Normal" closing time from 90° open position is from 5 to 7 seconds, evenly divided between main swing speed and latch swing speed. Use socket key (furnished) to adjust speed. To slow main speed of door, turn regulating screw nearest shaft clockwise. To slow latch speed, turn regulating screw nearest latch clockwise.

### BACKCHECK

To increase backcheck intensity turn regulating screw nearest hinge clockwise. DO NOT USE ABRUPT BACKCHECK OR EXPECT DOOR CLOSER TO ACT AS A DOOR STOP.

### ATTACH COVER

8. First, place inserts in proper cutouts, push cover against door closer and tighten both cover screws securely.



IMPROPER INSTALLATION OR REGULATION MAY RESULT IN PERSONAL INJURY OR PROPERTY DAMAGE. FOLLOW ALL INSTRUCTIONS CAREFULLY.



IMPROPER INSTALLATION OR REGULATION MAY RESULT IN PERSONAL INJURY OR PROPERTY DAMAGE. FOLLOW ALL INSTRUCTIONS CAREFULLY.