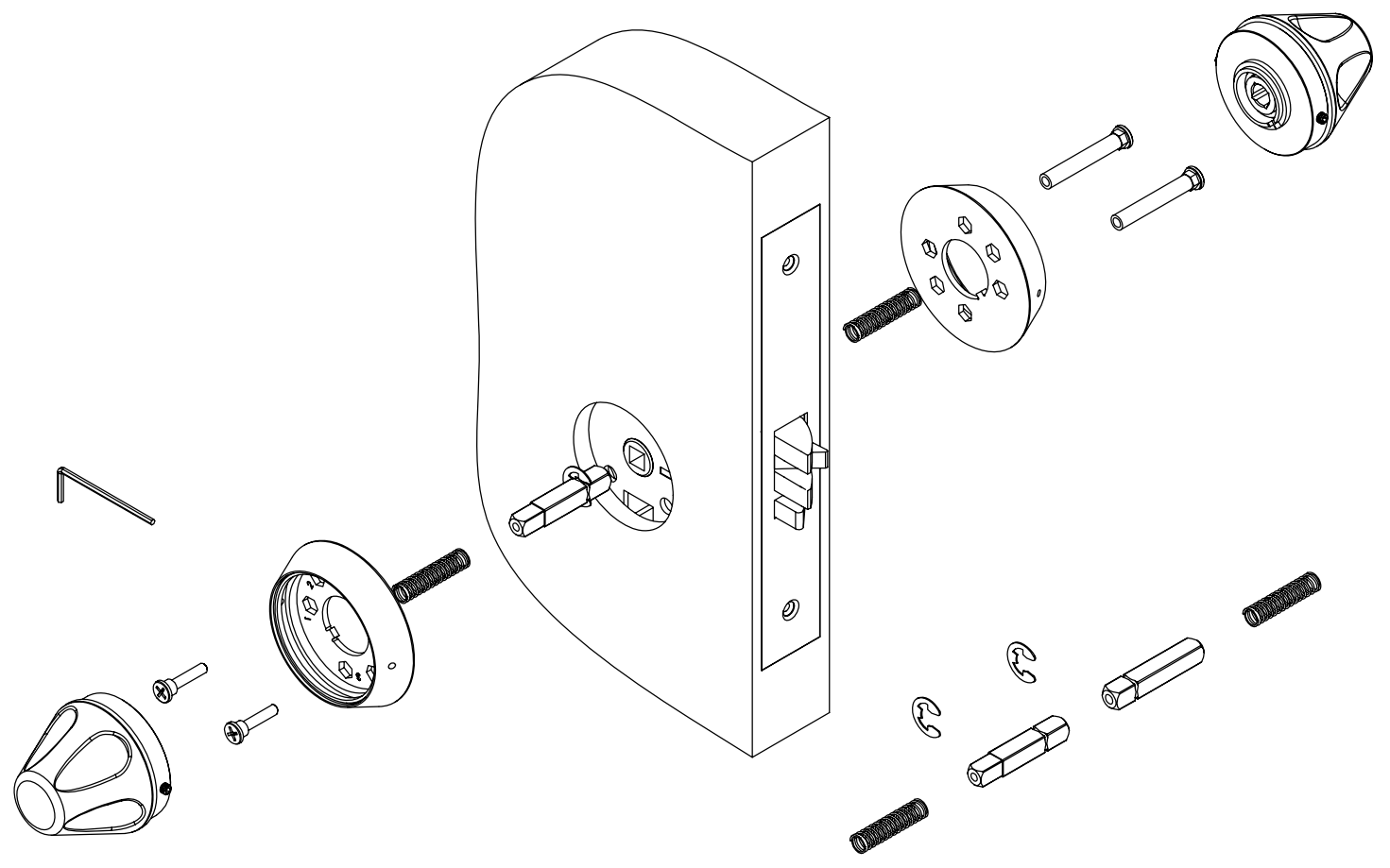


FIG 4  
AFTER SECURING ROSES ON THE DOOR, PLACE KNOB ASSEMBLY IN ROSE (IF SPINDLE REQUIRES A SPRING PLACE THE SPRING IN THE KNOB FIRST). TO BOTH HOLES IN THE ROSE PLACE A 5/64TH ALLEN WRENCH IN THE SET SCREW THROUGH THE HOLE IN ROSE AND SECURE KNOB ASSEMBLY BY TURNING COUNTER-CLOCKWISE (TO REMOVE ROTATE CLOCKWISE).

HOSPITAL KNOB INSTALLATION GUIDE FOR SARGENT & CORBIN MORTISES

1. REMOVE OLD LEVER/TRIM FROM THE DOOR.
2. SELECT THE SPINDLES IN THE SCREW PACK.
3. INSTALL SPINDLES IN MORTISE PER FIG 1.
4. PLACE THE 2 INSIDE MOUNTING POSTS THROUGH HOLE NUMBER 1 AS DESIGNATED ON THE ROSE- SEE FIG 2.
5. HOLDING THE 2 POSTS IN POSITION SLIDE ONTO THE MORTISE WITH POSTS GOING THROUGH THE MORTISE THROUGH HOLES, SEE FIG 2. NOTE- CAN INSTALL THE KNOB ASSEMBLY ON THE OUTSIDE PER STEP 7 AND THIS WILL HOLD THE POSTS IN POSITION.
6. ON THE OPPOSITE SIDE- PUT THE 2 MOUNTING SCREWS THROUGH HOLE NUMBER 1 AS DESIGNATED ON THE ROSE- SEE FIG 2. ALIGN THE SCREWS WITH THE POSTS AND TIGHTEN.
7. INSTALL THE KNOB ASSEMBLY INTO THE ROSE- ALIGN TABS. SET SCREWS HAVE TO BE FLUSH OR BELOW THE SURFACE TO ALLOW CLEARANCE. IF USING SPINDLES PER FIG 2 ENSURE THE SPRINGS ARE IN THE KNOBS. SEE FIG 3.
- NOTE: ONCE THE KNOB ASSEMBLY IS SET ON BOTH SIDES- ROTATE THE KNOB ON BOTH SIDES TO ENSURE THE MORTISE LATCH RETRACTS AND THERE IS NO BINDING. IF THE LATCH OR KNOB BINDS REMOVE THE KNOB ASSEMBLY FROM THE MOUNTING SCREW SIDE AND LOOSEN THE MOUNTING SCREWS AND ALIGN THE ROSE WITH THE CENTER OF THE HUBS AS MUCH AS POSSIBLE UNTIL NO BINDING OCCURS. TIGHTEN THE SCREWS AND RETRY.
8. INSERT THE ALLEN WRENCH THROUGH EACH HOLE (2 IN EACH ROSE) TO ENGAGE THE SET SCREW AND SECURE THE KNOB ASSEMBLY. ROTATE COUNTERCLOCKWISE TO TIGHTEN IN THE ASSEMBLY AND ROTATE CLOCKWISE TO LOOSEN. SEE FIG 4.
9. CHECK LOCK FOR CORRECT OPERATION BEFORE CLOSING THE DOOR.

EXPLODED VIEW



HOSPITAL LOCK PARTS LIST	
SCREW PACK BAG	
SPINDLE CLIP (2 ea)	1
INSIDE MOUNTING SCREW (2 ea)	
OUTSIDE MOUNTING POST (2 ea)	
SPINDLE SPRING (2 ea)	
5/64 ALLEN WRENCH (1 ea)	
SCREW PACK BAG	
SPINDLE (1 ea)	4
SPINDLE (1 ea)	
KNOB ROSE (2 ea)	

<p>TownSteel</p> <p>707 N. BARRANCA AVE #6 COVINA, CALIF 91723</p>	<p>DRAFT UNLESS OTHERWISE SPECIFIED: 1° MAX</p>	<p>TOLERANCES UNLESS OTHERWISE SPECIFIED:</p> <p>X.X (METRIC) = ±0.4</p> <p>X.XX (METRIC) = ±0.15</p> <p>FRACTIONS = ±.8</p> <p>ANGLES = ±1/2°</p> <p>⊙ .12</p> <p>MACHINED SURFACES 125/</p> <p>⊕ THIRD ANGLE</p>	<p>MATERIAL: NOTED</p> <p>HEAT TREAT: NA</p> <p>FINISH: 32D</p> <p>TITLE: HOSPITAL KNOB ASSY INSTRUCTIONS</p> <p>PART#: HKB-SAR</p>
	<p>DATE: 9/24/08</p>	<p>DRAWN BY: CM</p>	
		<p>DRAFT UNLESS OTHERWISE SPECIFIED: B</p>	

THIS DRAWING AND THE INFORMATION CONTAINED THEREON OR DERIVED THEREFROM ARE THE CONFIDENTIAL PROPERTY OF TOWNSTEEL, INC. IT IS NOT TO BE REPRODUCED, OR DISCLOSED TO OTHERS, AND MAY BE USED ONLY FOR THE PURPOSE OF ENABLING THE PARTY TO WHOM IT HAS BEEN LOANED TO QUOTE ON OR FILL AN ORDER FOR TOWNSTEEL, INC., OR AS MAY BE OTHERWISE AUTHORIZED BY TOWNSTEEL, INC. IN WRITING.