

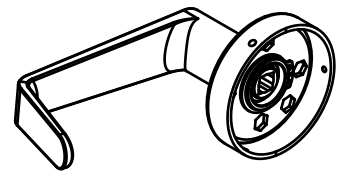
# REJUVENATOR™ INSTALLATION GUIDE

**TABLE 1**

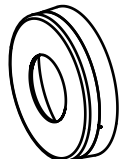
| THROUGH HOLE MORTISE BRAND | NUMBER ON ROSE INSERT | LETTER ON SPRING CAGE | SCREW PACK BAG NUMBER |
|----------------------------|-----------------------|-----------------------|-----------------------|
| SCHLAGE                    | 1                     | B                     | BAG 4                 |
| CORBIN                     | 1                     | C                     | BAG 2                 |
| ARROW                      | 1                     | C                     | BAG 4                 |
| PDQ                        | 1                     | C                     | BAG 2                 |
| SARGENT                    | 1                     | D                     | BAG 4                 |
| FALCON                     | 2                     | A                     | BAG 4                 |
| MARKS                      | 2                     | A                     | BAG 4                 |
| BEST                       | 2                     | B                     | BAG 4                 |
| YALE 8700                  | 3                     | D                     | BAG 3                 |
| YALE 8800                  | 3                     | E                     | BAG 3                 |

REJUVENATOR WILL FIT MOST THROUGH HOLE MORTISES INCLUDING THESE BRANDS: BEST 35 & 45 SERIES, CORBIN 2000 & 2200 SERIES, FALCON M SERIES, ARROW AM & BM SERIES, SARGENT 7800, 8200, 9200 SERIES, SCHLAGE L SERIES, YALE 8700 & 8800 SERIES, PDQ MR SERIES & CAL-ROYAL M SERIES

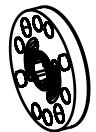
## REJUVENATOR PARTS LIST



LEVER ASSEMBLY (2 ea)




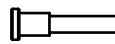
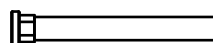

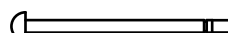


DECORATIVE ROSE (2 ea)

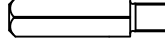
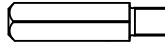


SPRING CAGE (2 ea)

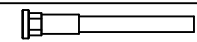
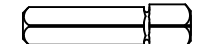
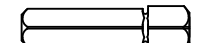
SCREW PACK BAG 1

- SPINDLE CLIP (2 ea)  1
- SPINDLE SCREW CLIP (1 ea) 
- BUSHING (2 ea) 
- INSIDE MOUNTING SCREW (2 ea) 
- OUTSIDE MOUNTING POST (2 ea) 
- SPINDLE SPRING (2 ea) 
- SPINDLE SCREW (1 ea) 

SCREW PACK BAG 2

- SPINDLE THREADED (1 ea)  2
- SPINDLE THRU HOLE (1 ea) 

SCREW PACK BAG 3 (YALE ONLY)

- OUTSIDE MOUNTING POST, YALE (2 ea)  3
- SPINDLE THRU HOLE (1 ea) 
- SPINDLE THREADED (1 ea) 

SCREW PACK BAG 4

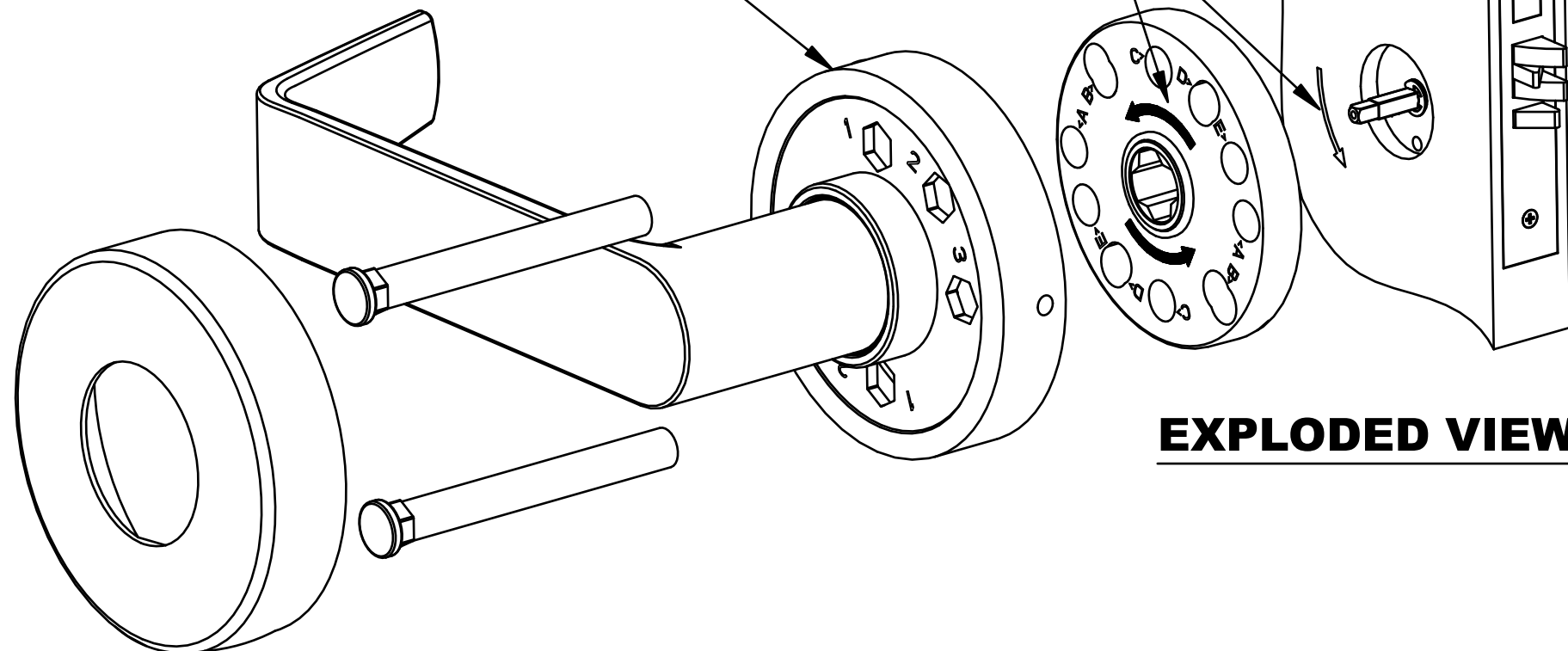
- SPINDLE THREADED (1 ea)  4
- SPINDLE THRU HOLE (1 ea) 

Spindles provided fit most common applications, special spindles may be ordered from the factory-call TownSteel at 877-858-0888 or contact us through the website at [www.TownSteel.com](http://www.TownSteel.com).

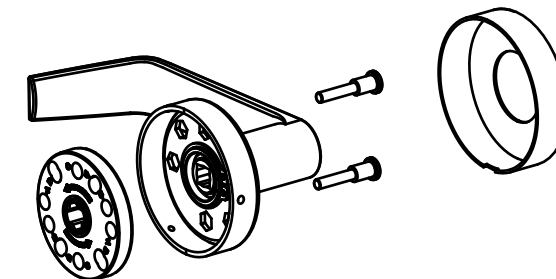
OUTSIDE OF DOOR

ROSE INSERT

ARROW ON THE SPRING CAGE IS THE SAME DIRECTION AS THE LEVER ROTATION ON THE DOOR



**EXPLODED VIEW**



INSIDE OF DOOR

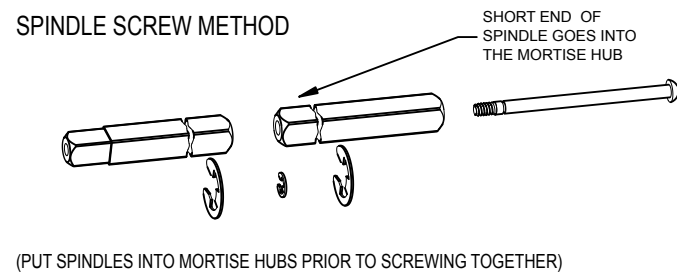
# INSTALLATION GUIDE

# REJUVENATOR™

## Sectional Trim

FIG 1

### SPINDLE SCREW METHOD

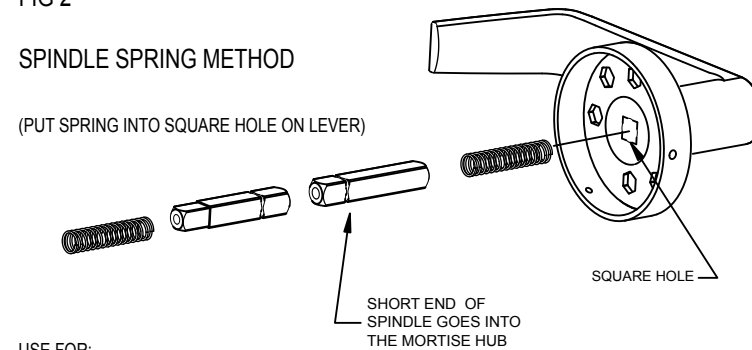


USE FOR:  
CORBIN ARROW BEST PDQ YALE

FIG 2

### SPINDLE SPRING METHOD

(PUT SPRING INTO SQUARE HOLE ON LEVER)



USE FOR:  
FALCON MARKS SCHLAGE SARGENT

FIG 3

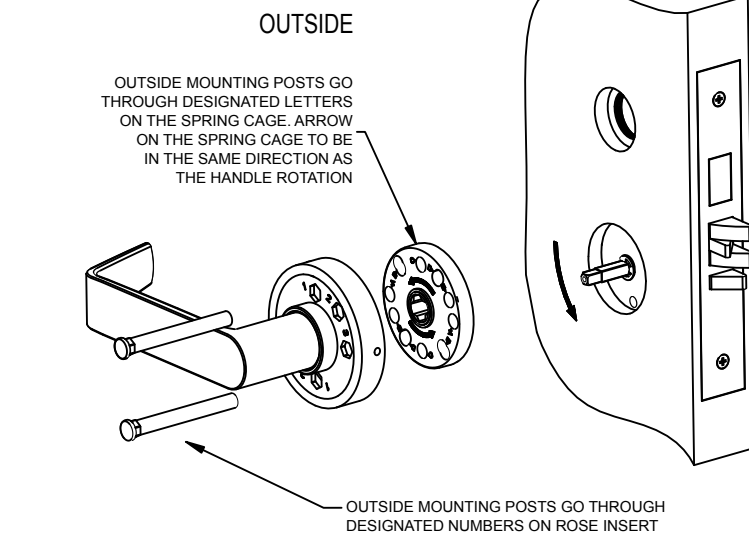


FIG 4

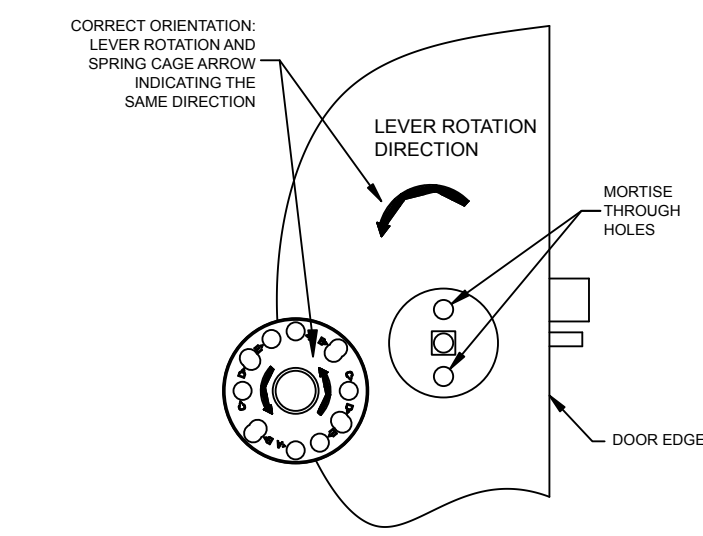


FIG 5

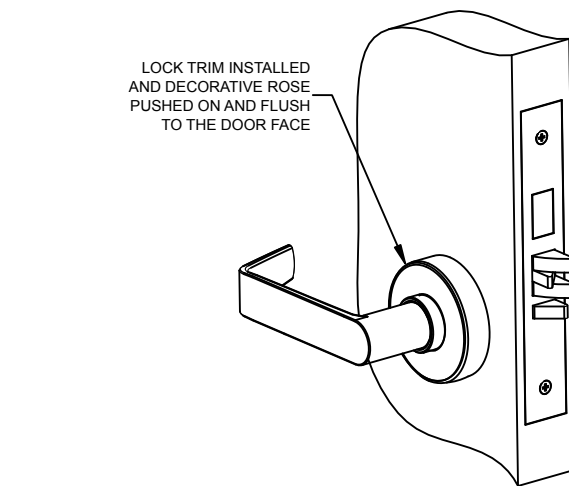
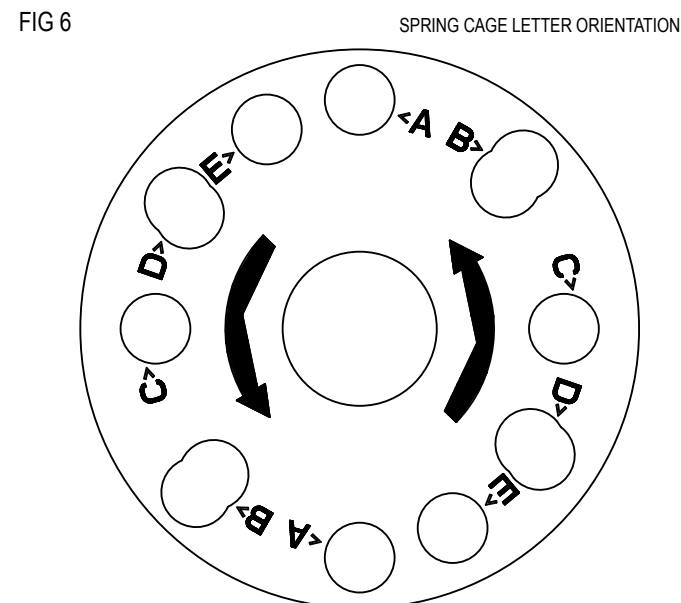


FIG 6



1. Remove old lever/knob trim from the door.
2. Identify manufacturer of existing mortise.
3. Select Spindles required and Screw Pack Bag 1: See TABLE 1 for BAG# and MORTISE BRAND. **TABLE 1 information must be followed or lock will not function correctly.**
4. If Spindle Springs are required insert them into the Lever Assemblies now (See FIG 2).
5. See FIG 1 & 2 and select required hardware to install Spindles into the mortise hubs. Note: Spindles provided fit most common applications, special spindles may be ordered from the factory-call TownSteel at 877-858-0888 or contact us through the website at [www.TownSteel.com](http://www.TownSteel.com).
6. Install Lever Assembly on the outside following steps 7, 8 & 9.
7. Place 2 Outside Mounting Posts through designated numbers (See TABLE 1) on the Rose Insert of the Lever Assembly (See FIG 3). See NOTE A for Yale brand mortises.
8. See FIG 3 & 4: **Position arrow** on the Spring Cage (See FIG 4) and slide the Spring Cage onto the Outside Mounting Posts using the correct holes as noted in TABLE 1. See NOTE B for Falcon brand mortises. **Arrow alignment must be correct or the lock will not function correctly.** See FIG 6 for an enlarged view of the Spring Cage letter orientation.
9. Align Outside Mounting Posts with the mortise through holes and hold the lever in the correct position- Slide assembly onto the lock- Outside Mounting Posts will slide into the mortise through holes and the lever will engage the spindle (See FIG 3).
10. Install Lever Assembly on the inside: Repeat steps 7, 8 & 9 using the Inside Mounting Screws.
11. Hold Outside Mounting Posts in place and tighten the Inside Mounting Screws.
12. **Check for correct lock operation before shutting or locking the door.**
13. Place the Decorative Rose over the Lever Assembly (See EXPLODED VIEW) and press on-Edges should contact the door face. Do this for both the inside and outside Lever Assemblies (See FIG 5).

### NOTES:

- A. Yale brand mortises require the Yale Outside mounting Posts (IN SCREW PACK BAG 3) to be used in Step 7.
- B. Falcon brand mortises require 2 Bushings (IN SCREW PACK BAG 1) to be inserted in the mortise through holes prior to Step 9