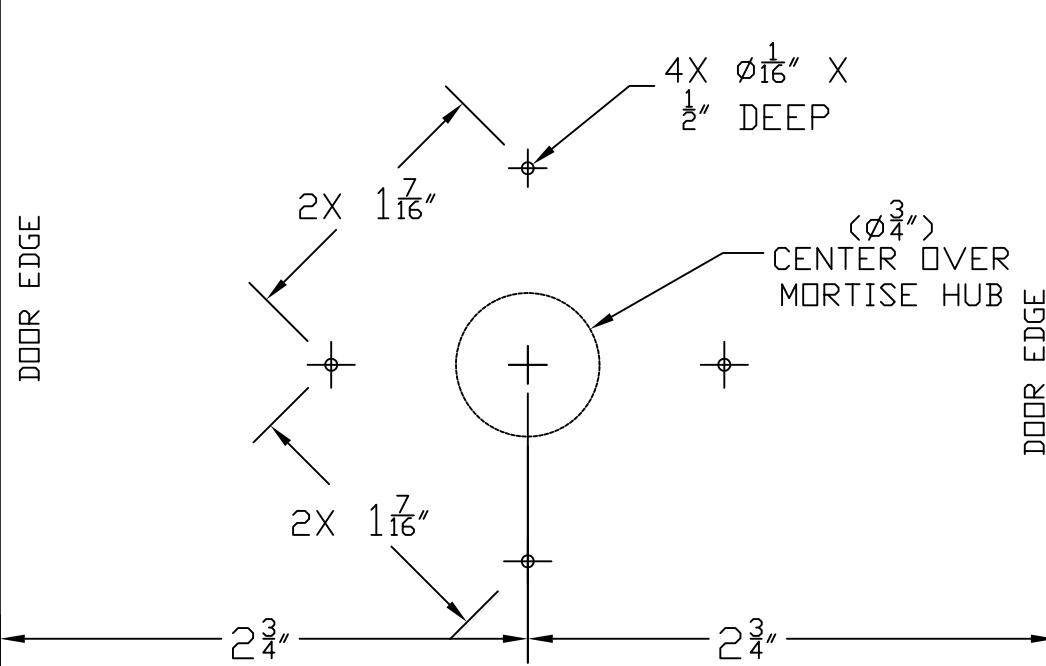
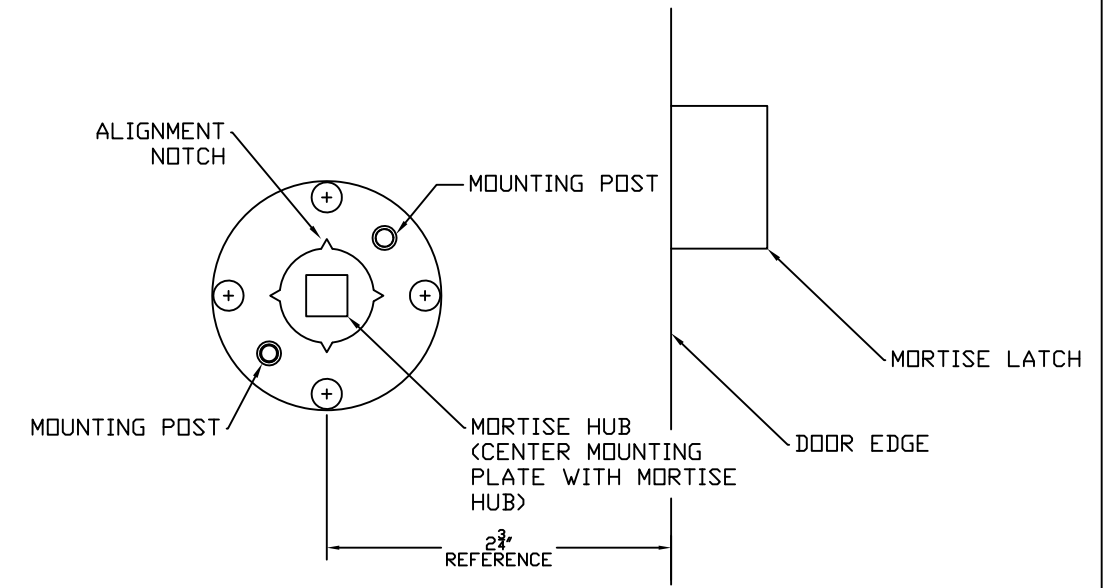


TEMPLATE (Align with hub of mortise)

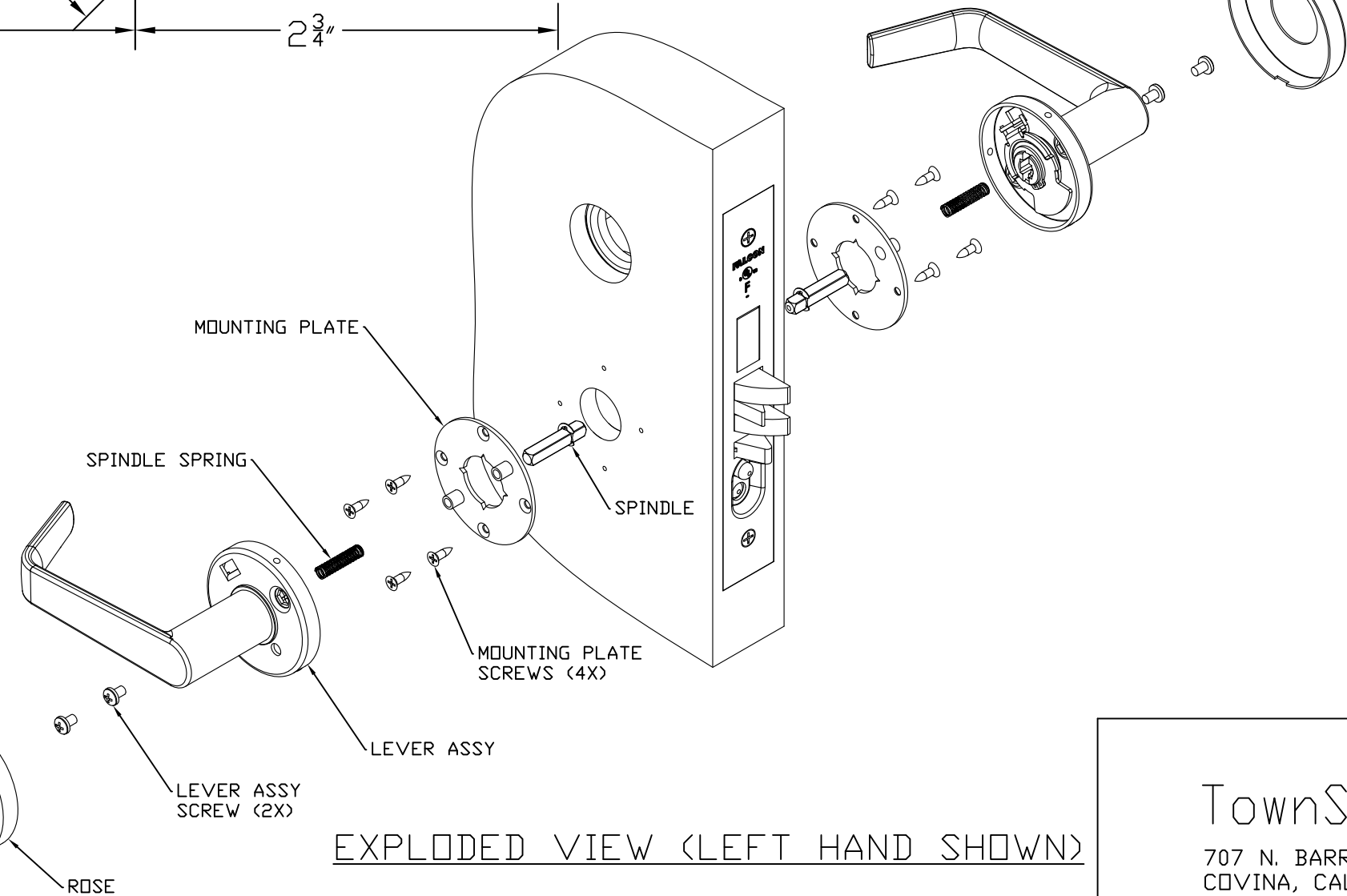


MOUNTING PLATE ALIGNMENT (OUTSIDE LH SHOWN)



SURFACE MOUNT REJUVENATOR INSTALLATION GUIDE FOR SECTIONAL TRIM

- NOTE: THIS TRIM IS FOR SOLID CORE WOOD DOORS ONLY.
- LINE UP MOUNTING PLATE ON DOOR- CENTER ON THE HUB OF THE MORTISE- SMALL NOTCHES ARE FOR VISUAL ALIGNMENT VERTICALLY AND HORIZONTALLY. DRILL 4 SMALL PILOT HOLES ($\phi 1/16$) FOR #6 WOOD SCREWS (SEE TEMPLATE). USE 4 MOUNTING PLATE SCREWS TO FIX IN PLACE. NOTE: THIS NEEDS TO BE ALIGNED- IT WILL DETERMINE LEVER ASSY ORIENTATION.
- INSTALL SPINDLES AS SHOWN INTO THE MORTISE HUB (EXPLODED VIEW). ENSURE SUPPLIED SPINDLES FIT THE MORTISE HUB SQUARE AND LEVER ASSY SQUARE.
- INSERT SPINDLE SPRINGS INTO THE LEVER ASSY, THESE ARE USED TO KEEP THE SPINDLE ENGAGED IN THE MORTISE HUBS.
- POSITION LEVER ASSY ONTO THE MOUNTING PLATE, USE LEVER ASSY SCREWS TO FIX IN PLACE.
- TEST BEFORE LOCKING: LEVER SHOULD OPERATE LATCH OF THE MORTISE WITH NO BINDING IF EVERYTHING IS ALIGNED PROPERLY.
- IF LOCK IS OPERATIONAL PLACE ROSE OVER LEVER ASSY AND PRESS IN PLACE.
- THESE STEPS ARE DONE ON BOTH SIDES OF THE MORTISE LOCK (INSIDE/OUTSIDE).
- CHECK LOCK FOR CORRECT OPERATION BEFORE CLOSING THE DOOR.



EXPLODED VIEW (LEFT HAND SHOWN)

<h1 style="margin: 0;">TownSteel</h1> <p style="margin: 0;">707 N. BARRANCA AVE #6 COVINA, CALIF 91723</p>	DRAFT UNLESS OTHERWISE SPECIFIED: 1° MAX	B	TOLERANCES UNLESS OTHERWISE SPECIFIED: X.X (METRIC) = ±0.4 X.XX (METRIC) = ±0.15 FRACTIONS = ±.8 ANGLES = ±1/2° ∅ .12 MACHINED SURFACES 125/	MATERIAL: NOTED
	DRAWN BY: SC			HEAT TREAT: NA
	DATE: 8/10/10		THIRD ANGLE	FINISH: NA
				TITLE: SURFACE MOUNT SECTIONAL ASSY INSTRUCTIONS
				PART#: SURFACE MOUNT

THIS DRAWING AND THE INFORMATION CONTAINED THEREON OR DERIVED THEREFROM ARE THE CONFIDENTIAL PROPERTY OF TOWNSTEEL, INC. IT IS NOT TO BE REPRODUCED, OR DISCLOSED TO OTHERS, AND MAY BE USED ONLY FOR THE PURPOSE OF ENABLING THE PARTY TO WHOM IT HAS BEEN LOANED TO QUOTE ON OR FILL AN ORDER FOR TOWNSTEEL, INC., OR AS MAY BE OTHERWISE AUTHORIZED BY TOWNSTEEL, INC. IN WRITING.