

FIG 1

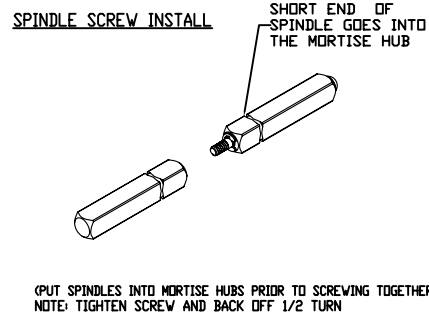


FIG 2

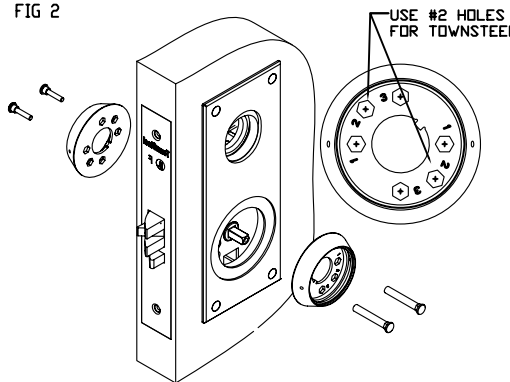


FIG 3

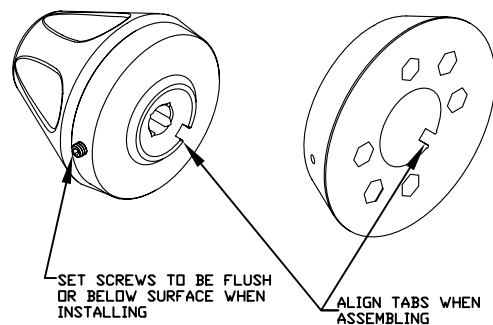
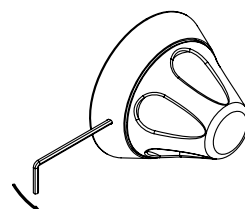


FIG 4

AFTER SECURING ROSES ON THE DOOR, PLACE KNOB ASSEMBLY IN ROSE (IF SPINDLE REQUIRES A SPRING PLACE THE SPRING IN THE KNOB FIRST). TO BOTH HOLES IN THE ROSE, PLACE A 5/64TH ALLEN WRENCH IN THE SET SCREW THROUGH THE HOLE IN ROSE AND SECURE KNOB ASSEMBLY BY TURNING COUNTER-CLOCKWISE (TO REMOVE ROTATE CLOCKWISE).



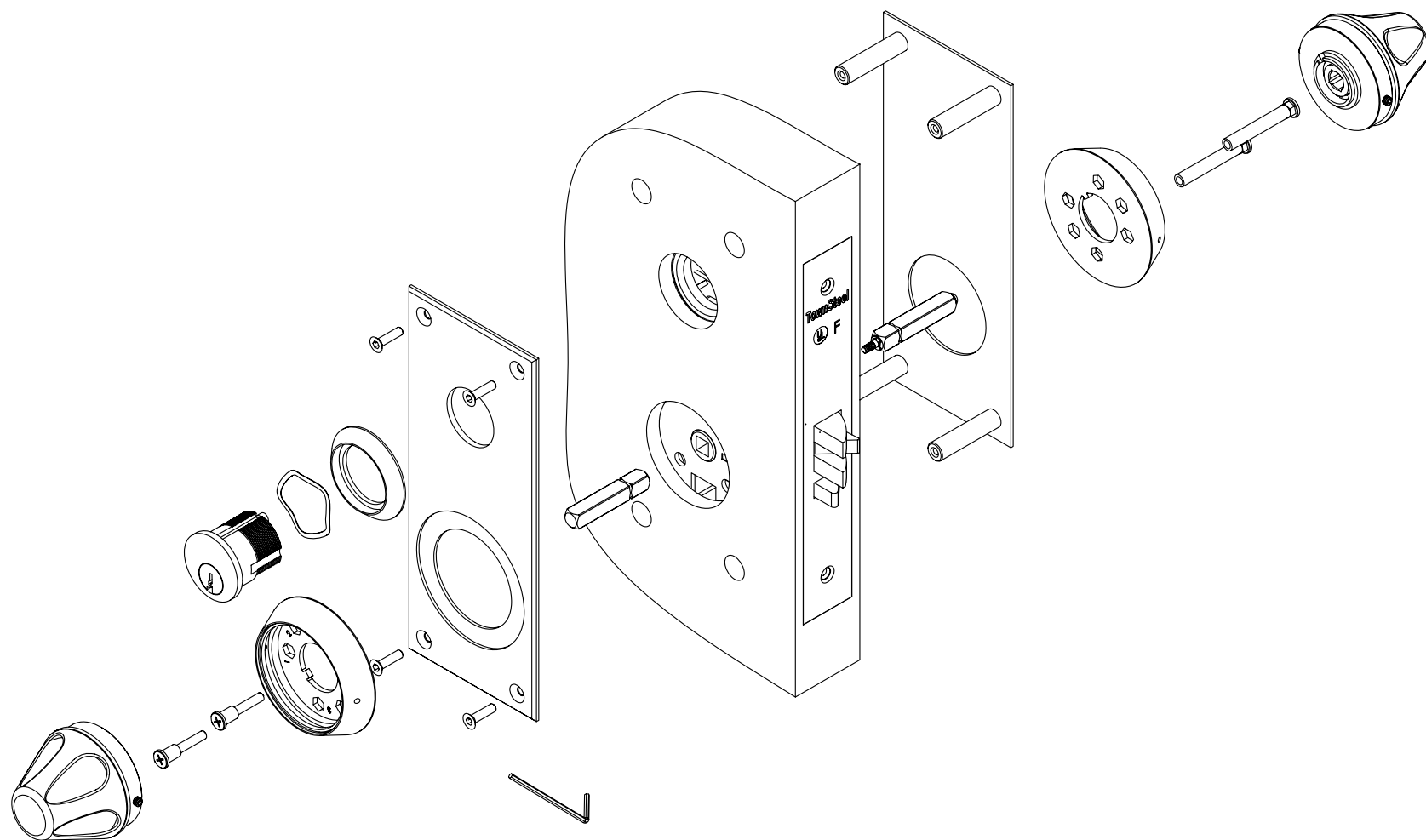
REV

DESCRIPTION

DATE

RXE LOCK PARTS LIST	
SCREW PACK BAG 1	
INSIDE MOUNTING POST (2 ea)	1
OUTSIDE MOUNTING SCREW (2 ea)	
ESCUTCHEON MOUNTING SCREW (4 ea)	
5/64 ALLEN WRENCH (1 ea)	
SCREW PACK BAG 2	
SPINDLE (1 ea)	2
SPINDLE (1 ea)	
KNOB ASSEMBLY (2 ea)	
KNOB ROSE (2 ea)	
CYLINDER (OPTIONAL)	
WAVE WASHER & CYLINDER COLLAR (1 ea)	

EXPLODED VIEW



RX ESCUTCHEON INSTALLATION GUIDE FOR TOWNSTEEL MORTISES

1. PREPARE DOOR CUTOUT PER TEMPLATE.
 2. INSTALL MORTISE INTO THE PREPARED DOOR.
 3. INSTALL SPINDLES IN MORTISE PER FIG 1.
 4. INSTALL I/S AND O/S ESCUTCHEONS, USE THE 4 ESCUTCHEON MOUNTING SCREWS TO ASSEMBLE (CAN LEAVE SCREWS LOOSE SO YOU CAN ADJUST ALIGNMENT- SEE NOTE AFTER STEP 8).
 5. PLACE THE 2 INSIDE MOUNTING POSTS THROUGH HOLE NUMBER 2 AS DESIGNATED ON THE ROSE- SEE FIG 2.
 6. HOLDING THE 2 POSTS IN POSITION SLIDE ONTO THE MORTISE WITH POSTS GOING THROUGH THE MORTISE THROUGH HOLES. SEE FIG 2.
 7. ON THE OPPOSITE SIDE- PUT THE 2 MOUNTING SCREWS THROUGH HOLE NUMBER 2 AS DESIGNATED ON THE ROSE- SEE FIG 2. ALIGN THE SCREWS WITH THE POSTS AND TIGHTEN.
 8. INSTALL THE KNOB ASSEMBLY INTO THE ROSE- ALIGN TABS. SET SCREWS HAVE TO BE FLUSH OR BELOW THE SURFACE TO ALLOW CLEARANCE. SEE FIG 3.
- NOTE: ONCE THE KNOB ASSEMBLY IS SET ON BOTH SIDES- ROTATE THE KNOB ON BOTH SIDES TO ENSURE THE MORTISE LATCH RETRACTS AND THERE IS NO BINDING. IF THE LATCH OR KNOB BINDS REMOVE THE KNOB ASSEMBLY FROM THE MOUNTING SCREW SIDE AND LOOSEN THE MOUNTING SCREWS AND ALIGN THE ROSE WITH THE CENTER OF THE HUBS AS MUCH AS POSSIBLE UNTIL NO BINDING OCCURS. TIGHTEN THE SCREWS AND RETRY.
9. INSERT THE ALLEN WRENCH THROUGH EACH HOLE (2 IN EACH ROSE) TO ENGAGE THE SET SCREW AND SECURE THE KNOB ASSEMBLY. ROTATE COUNTERCLOCKWISE TO TIGHTEN IN THE ASSEMBLY AND ROTATE CLOCKWISE TO LOOSEN. SEE FIG 4.
 10. INSTALL CYLINDER (COLLAR, WAVE WASHER, CYLINDER) AND SECURE WITH SET SCREW (UNDER MORTISE FACE PLATE).
 11. CHECK LOCK FOR CORRECT OPERATION BEFORE CLOSING THE DOOR.

<p>TownSteel</p> <p>707 N. BARRANCA AVE #6 COVINA, CALIF 91723</p>	<p>DRAFT UNLESS OTHERWISE SPECIFIED: 1° MAX</p>	<p>TOLERANCES UNLESS OTHERWISE SPECIFIED: X.X (METRIC) = ±0.4 X.XX (METRIC) = ±0.15 FRACTIONS = ±.8 ANGLES = ±1/2° © .12 MACHINED SURFACES 125/ THIRD ANGLE</p>	<p>MATERIAL: NOTED</p>
	<p>DRAWN BY: SC</p>		<p>HEAT TREAT: NA</p>
	<p>DATE: 07/29/08</p>		<p>TITLE: RX ESCUTCHEON ASSY INSTRUCTIONS</p>
			<p>PART#: MRX-E-K</p>

THIS DRAWING AND THE INFORMATION CONTAINED THEREON OR DERIVED THEREFROM ARE THE CONFIDENTIAL PROPERTY OF TOWNSTEEL, INC. IT IS NOT TO BE REPRODUCED, OR DISCLOSED TO OTHERS, AND MAY BE USED ONLY FOR THE PURPOSE OF ENABLING THE PARTY TO WHOM IT HAS BEEN LOANED TO QUOTE ON OR FILL AN ORDER FOR TOWNSTEEL, INC., OR AS MAY BE OTHERWISE AUTHORIZED BY TOWNSTEEL, INC. IN WRITING.