

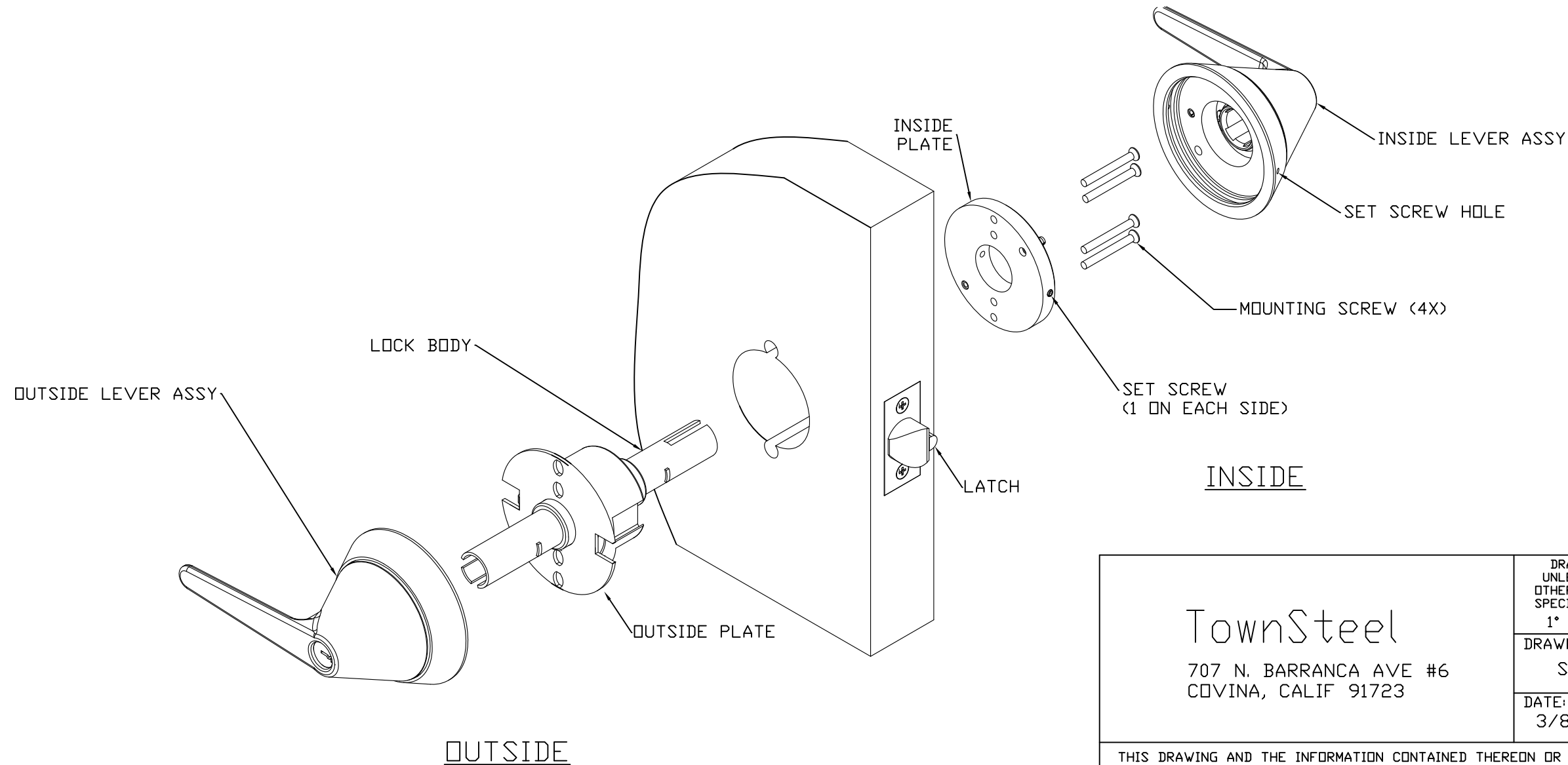
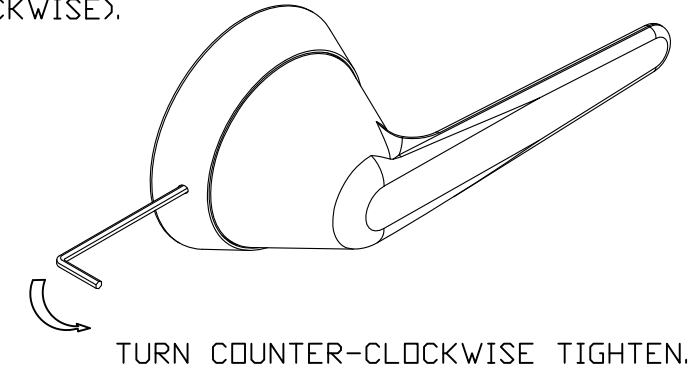
HRXL INSTALLATION GUIDE

1. PREPARE DOOR ACCORDING TO TEMPLATE.
2. INSTALL LATCH AND SCREW TO DOOR (LEFT HAND MOUNTING SHOWN).
3. INSTALL LOCK BODY (SET UP FOR 1 3/4" DOOR THICKNESS), ALIGN AS SHOWN IN EXPLODED VIEW.
4. INSTALL INSIDE PLATE AND ALIGN AS SHOWN IN EXPLODED VIEW.
5. INSTALL OUTSIDE LEVER ASSEMBLY- SECURE WITH 4 MOUNTING SCREWS (1 1/2" LONG SCREWS) FROM THE INSIDE.
6. INSTALL INSIDE LEVER ASSEMBLY FLUSH TO DOOR FACE- SECURE WITH 2 SET SCREWS (SEE FIG 1).
7. IMPORTANT: CHECK LOCK FOR CORRECT OPERATION BEFORE CLOSING THE DOOR.

NOTE: TO UNINSTALL LOCK- REMOVE INSIDE LEVER ASSEMBLY BY LOOSENING THE SET SCREWS.

FIG 1

AFTER PLACING THE INSIDE LEVER ASSEMBLY ON THE INSIDE PLATE USE THE PROVIDED ($\frac{5}{8}$ ") ALLEN WRENCH (THROUGH THE SET SCREW HOLE, 1 ON EACH SIDE) AND SECURE THE INSIDE LEVER ASSEMBLY BY TURNING THE SET SCREWS COUNTER-CLOCKWISE (TO REMOVE ROTATE CLOCKWISE).



| | | | | |
|--|---|---|--|---|
| <p>TownSteel</p> <p>707 N. BARRANCA AVE #6 COVINA, CALIF 91723</p> | DRAFT UNLESS OTHERWISE SPECIFIED: 1° MAX | B | TOLERANCES UNLESS OTHERWISE SPECIFIED: X.X (METRIC) = ±0.4 X.XX (METRIC) = ±0.15 FRACTIONS = ±.8 ANGLES = ±1/2° © .12 MACHINED SURFACES 125/ | MATERIAL: NOTED |
| | DRAWN BY: SC | | | HEAT TREAT: N/A |
| | DATE: 3/8/11 | | THIRD ANGLE | FINISH: N/A |
| | | | | TITLE: HRXL LEVER ASSY INSTRUCTIONS |
| | | | | PART#: |

THIS DRAWING AND THE INFORMATION CONTAINED THEREON OR DERIVED THEREFROM ARE THE CONFIDENTIAL PROPERTY OF TOWNSTEEL, INC. IT IS NOT TO BE REPRODUCED, OR DISCLOSED TO OTHERS, AND MAY BE USED ONLY FOR THE PURPOSE OF ENABLING THE PARTY TO WHOM IT HAS BEEN LOANED TO QUOTE ON OR FILL AN ORDER FOR TOWNSTEEL, INC., OR AS MAY BE OTHERWISE AUTHORIZED BY TOWNSTEEL, INC. IN WRITING.