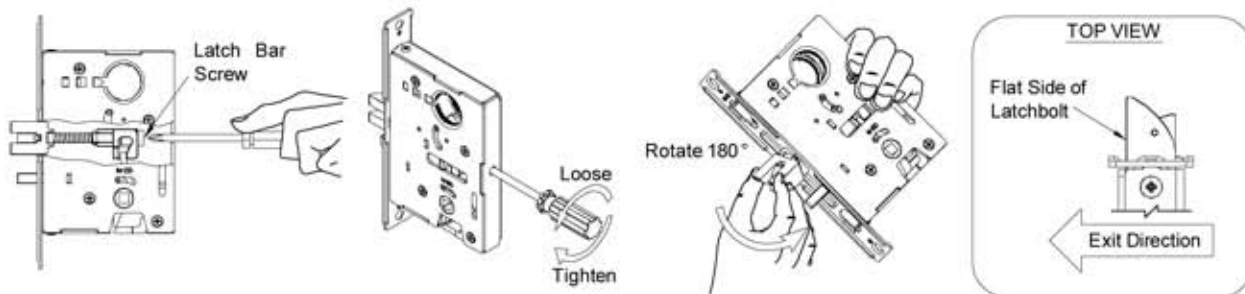


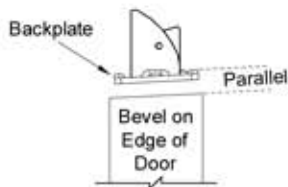
1400 SERIES MORTISE LOCK FOR EXIT DEVICE

INSTALLATION INSTRUCTIONS

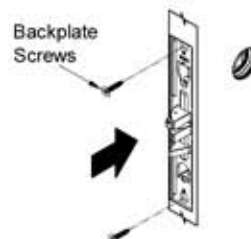
1. Prepare door for device and trim (see their instructions).
2. Prepare door for mortise lock and cylinder (see preparation on other side of these instructions).
3. Change lock handing if required:
 - (a) Loose latch bar screw to project latchbolt away from mortise case.
 - (b) After latchbolt fully projected, rotate it 180° so flat side faces exit direction, tighten latch bar screw.



4. Adjust backplate for door bevel.



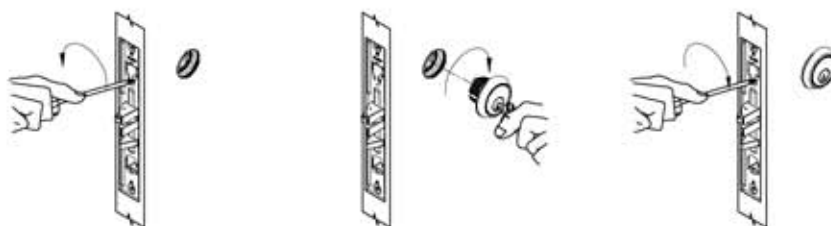
5. Install mortise case into door with two(2) No.12-24 x 7/8" backplate screws.



6. Install trim, if using (see "Trim Instructions").

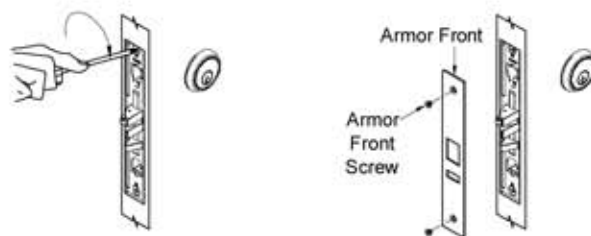
7. If using outside cylinder:

- (a) Loose cylinder anchor screw sufficiently to allow cylinder to be threaded into lock case.
- (b) Screw cylinder into the lock case, keyway must end up on bottom of cylinder housing.
- (c) Secure cylinder by tightening cylinder anchor screw into groove on side of cylinder.

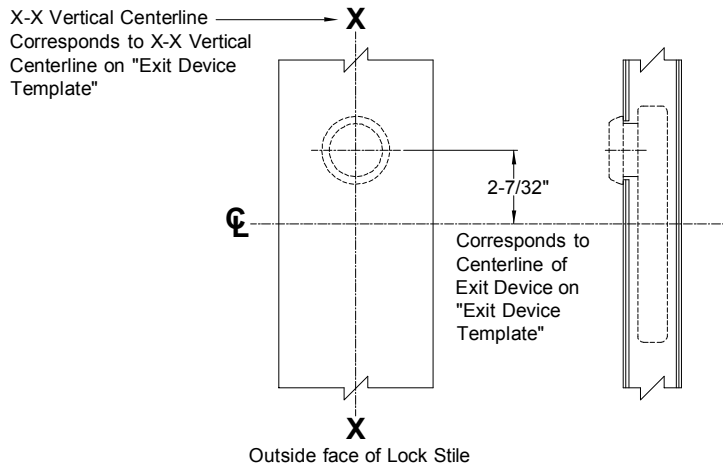


8. Finish installing mortise lock:

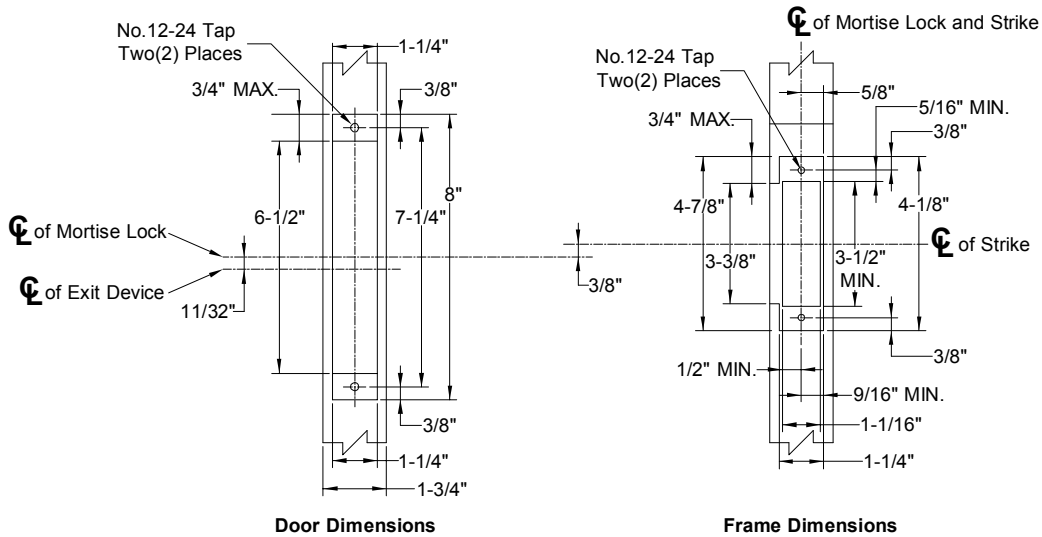
- (a) Tighten two(2) backplate screws.
- (b) Place armor front in position and install two(2) armor front screws.



DOOR PREPARATION FOR MORTISE CYLINDER



METAL DOOR PREPARATION FOR MORTISE LOCK



WOOD DOOR PREPARATION FOR MORTISE LOCK

