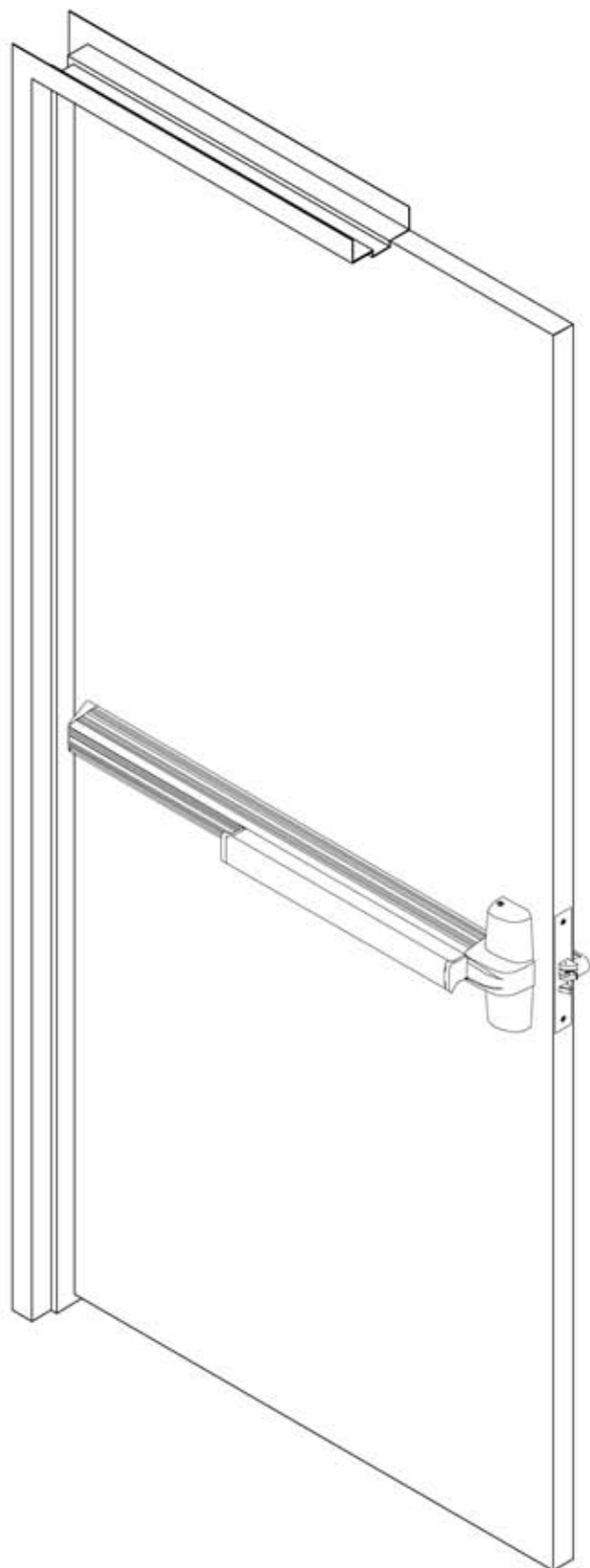
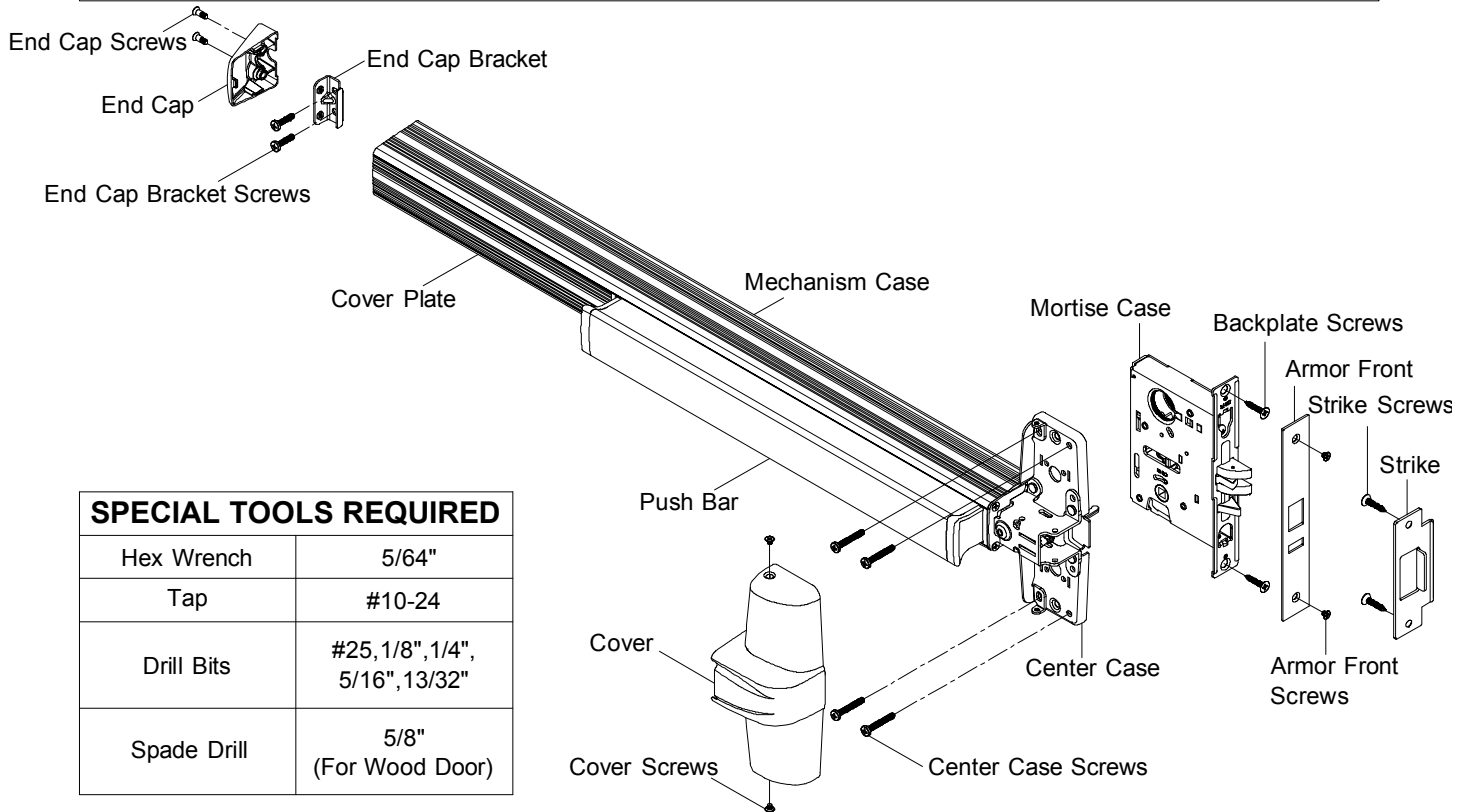


**1400/1400F SERIES  
MORTISE LOCK EXIT DEVICE**

**INSTALLATION INSTRUCTIONS**



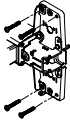
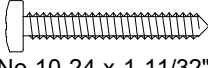
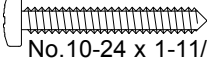
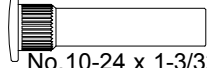
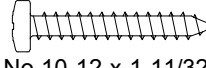
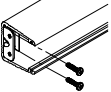
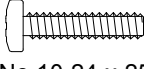

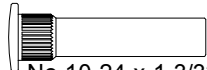
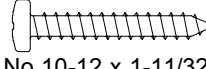

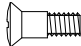


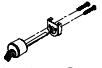
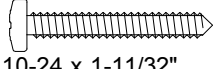
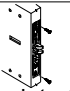
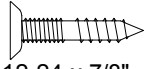



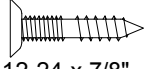
# 1400 SERIES MORTISE EXIT DEVICE



## SPECIAL TOOLS REQUIRED

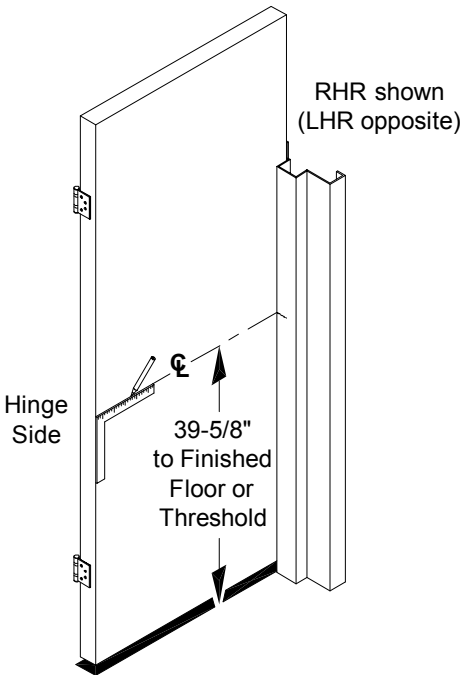
Hex Wrench	5/64"
Tap	#10-24
Drill Bits	#25, 1/8", 1/4", 5/16", 13/32"
Spade Drill	5/8" (For Wood Door)

## SCREW CHART

APPLICATION	METAL	METAL / WOOD	WOOD
 Center Case Screws	<b>C</b>  No. 10-24 x 1-11/32"	<b>C</b>  No. 10-24 x 1-11/32" <b>G</b>  No. 10-24 x 1-3/32"	<b>A</b>  No. 10-12 x 1-11/32"
 End Cap Bracket Screws	<b>D</b>  No. 10-24 x 25/32"	<b>C</b>  No. 10-24 x 1-11/32" <b>G</b>  No. 10-24 x 1-3/32"	<b>A</b>  No. 10-12 x 1-11/32"
 End Cap Screws	<b>J</b>	 No. 8-32 x 1/4"	
 Cover Screws	<b>I</b>	 No. 8-32 x 5/32"	
 Cylinder Screws	<b>C</b>	 No. 10-24 x 1-11/32"	
 Backplate Screws	<b>K</b>	 No. 12-24 x 7/8"	
 Armor Front Screws	<b>I</b>	 No. 8-32 x 5/32"	
 Strike Screws	<b>K</b>	 No. 12-24 x 7/8"	

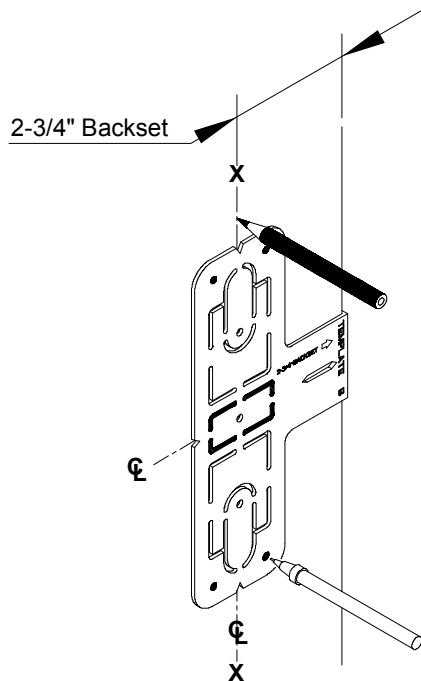


# 1 DRAW HORIZONTAL DEVICE CENTERLINE (☉).



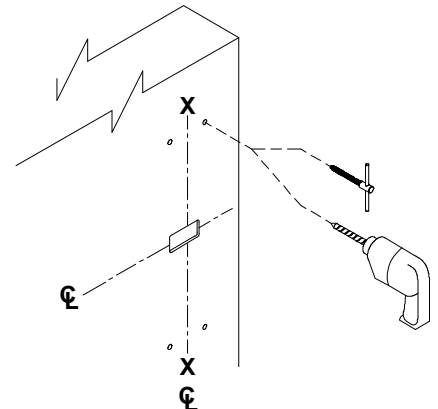
Close door, mark horizontal centerline on inside face of door and on lock side door stop 39-5/8" from finish floor as shown, (Continue horizontal centerline to outside face of door if trim is using)

# 2 ALIGN TEMPLATE ALONG CENTERLINE (☉) AND MARK DOOR.



Mark four(4) center case holes. Mark vertical centerline at lock side using 2-3/4" backset dimension.

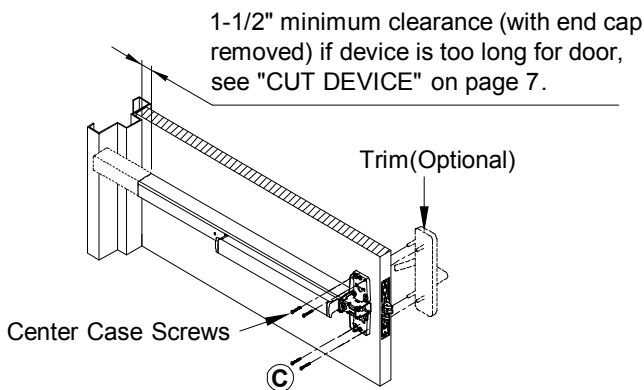
# 3 PREPARE FOUR(4) CENTER CASE HOLES AND MORTISE LOCK CUTOUTS.



- 3A. Mark vertical centerline at lock side using 2-3/4" backset dimension (If trim is using mark vertical centerline on the outside face of door. Use extra care if edge of door is beveled, be sure X-X vertical centerline is parallel to edge of door).
- 3B. If door is not pre-machined for mortise lock, mortise the door according to "Mortise Lock Instructions".

See "Trim Instructions" for pull side door preparation.

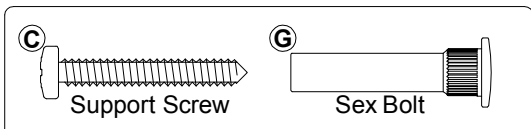
# 5 INSTALL TRIM (IF USING) AND SECURE DEVICE CENTER CASE TO DOOR.



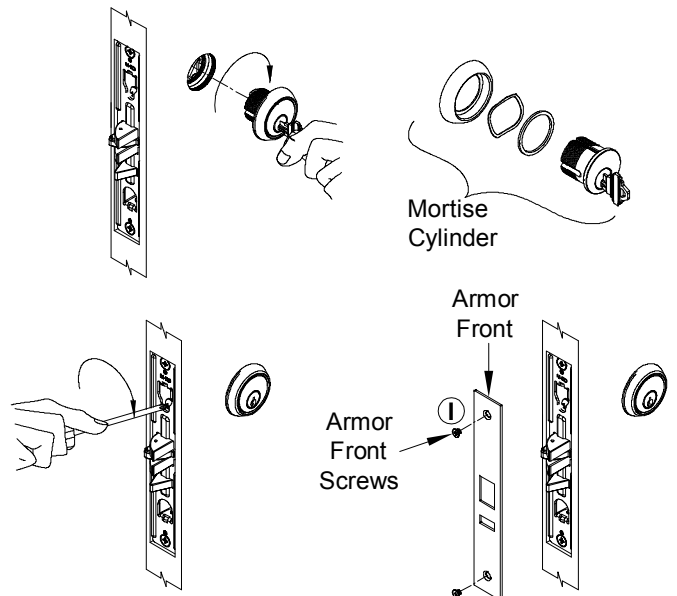
- 1. DEVICE WITH TRIM - See "Trim Instructions".
- 2. EXIT ONLY - With device adjustment finger in the mortise case, mount center case to the door with four(4) screws.

## For FIRE EXIT DEVICES

Sex bolts and support screws are required for composite (wood, plastic and steel covered), wood core, sheet metal and hollow metal doors without reinforcement unless door manufacturer has an alternate mounting method. Fire doors with steel reinforcement, mount devices with machine screws

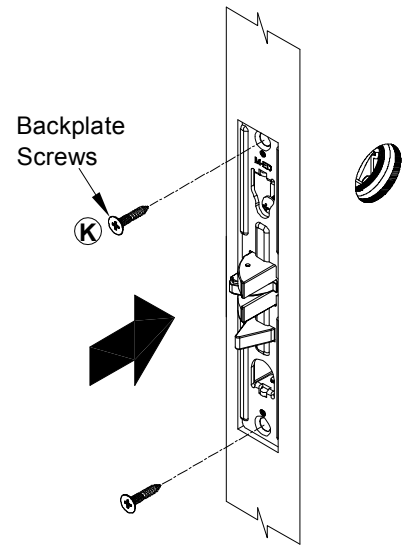
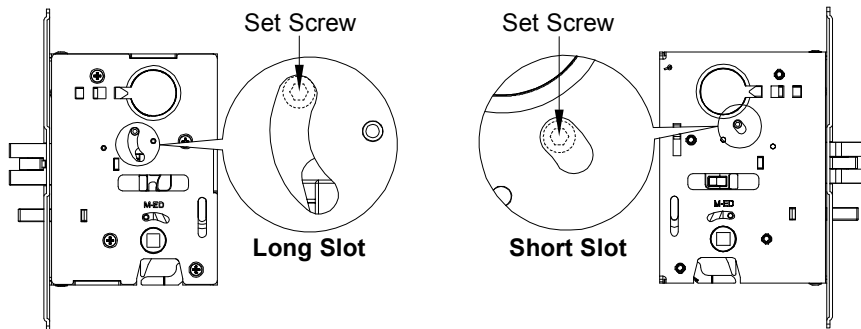
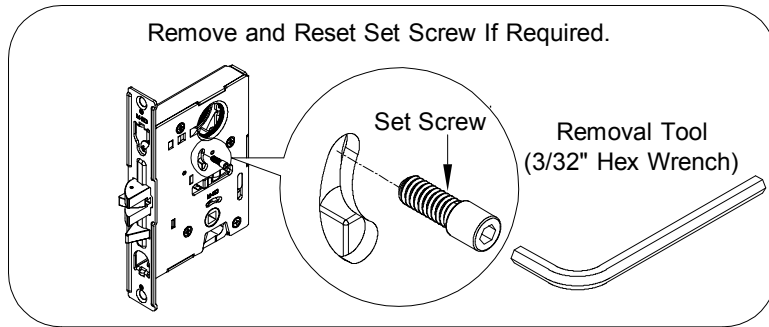


# 6 INSTALL OUTSIDE LOCKING CYLINDER (IF USING) AND FINISH INSTALLING MORTISE LOCK.



CYLINDER ONLY - Install mortise cylinder into mortise lock as shown. Check key operation and secure cylinder in place by tightening cylinder anchor screw into groove on side of cylinder. **NOTE:** See "DOUBLE CYLINDER INSTALLATION" on page 7 for double cylinder application.

# 4 INSTALL MORTISE LOCK INTO DOOR.

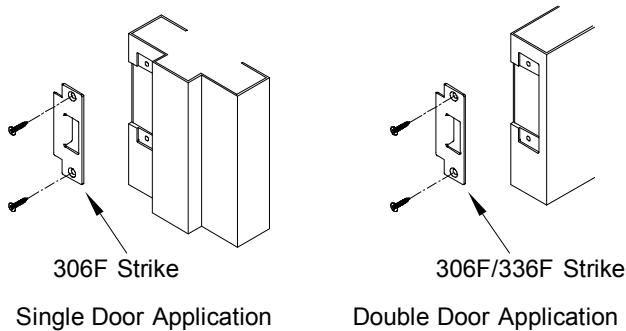


**4A. Remain set screw as shipped.**  
Set screw is factory set at **long slot** side for EO,DT, and NL applications.

**Remove set screw and reset in short slot of the other side** for TP, K, "double cylinder" and L trims with outside cylinder to lock and unlock trim function.

**4B.** Install mortise lock into door and fasten with backplate screws.

# 7 INSTALL SUPPLIED STRIKE TO FRAME OR OTHER DOOR.



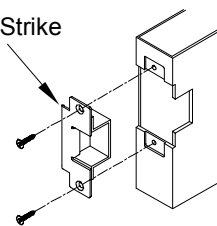
306F Strike

Single Door Application

306F/336F Strike

Double Door Application

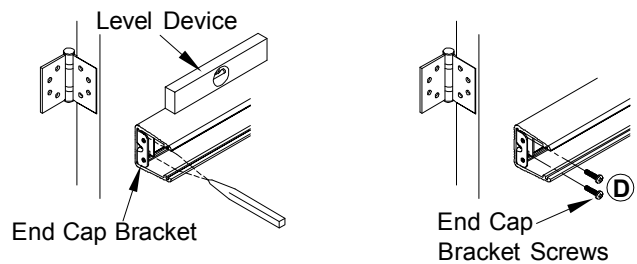
337F/338F Strike



**Open Back Strike For Double Door Application**

See "STRIKE PREPARATION" on page 3 for preparation information.

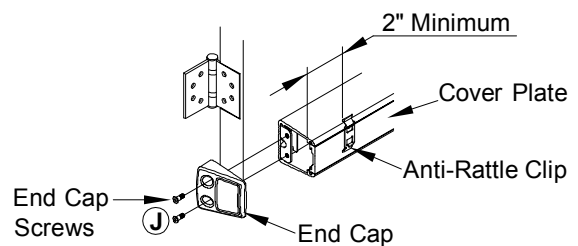
# 8 INSTALL MOUNTING BRACKET AND END CAP.



End Cap Bracket

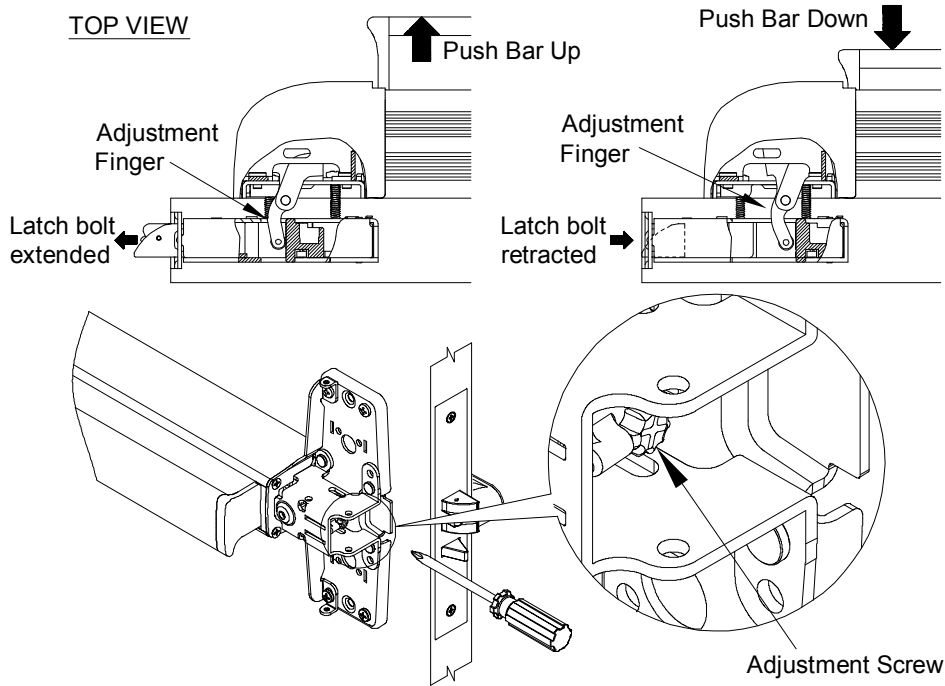
End Cap Bracket Screws

1. Remove cover plate, insert end cap bracket into push bar assembly against mechanism case. Level device, mark and drill two(2) holes for #10 sheet metal screws or #10-24 machine screws. Fasten end cap bracket screws to door.



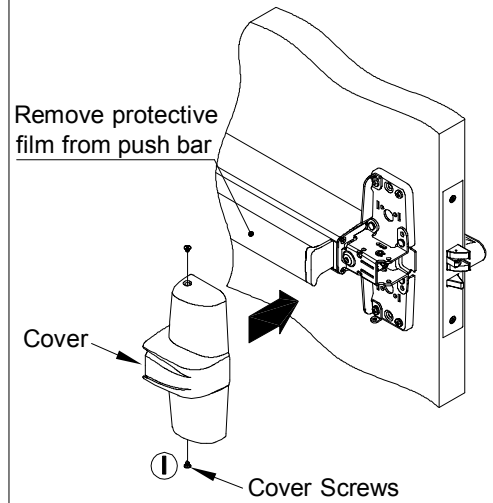
2. Insert cover plate, slide anti-rattle clip in position (2" minimum from end), and attach end cap with two(2) end cap screws.

## 9 ADJUSTING LATCH BOLT.



Latchbolt should be fully retracted when push bar is depressed or device is dogged down. If above condition does not exist, adjust "adjustment finger" with adjusting "adjustment screw".

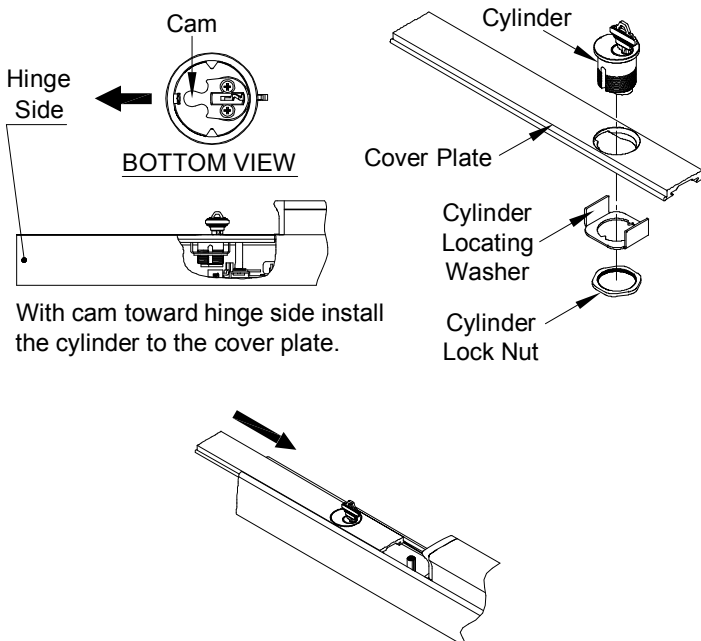
## 10 INSTALL CASE COVER.



Attach cover to center case with two(2) center case screws.

## OPTIONAL DOGGING

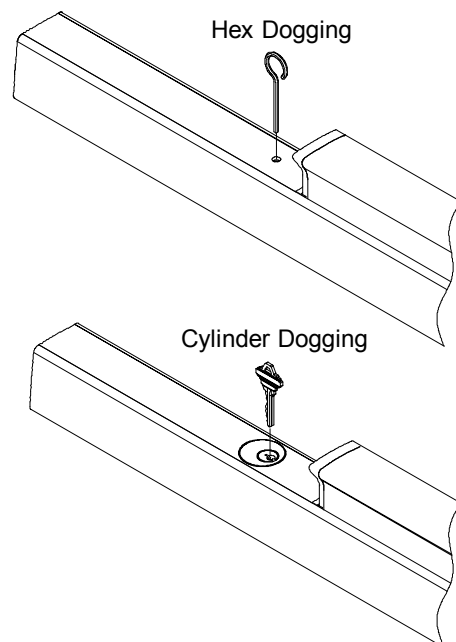
### CYLINDER DOGGING



With cam toward hinge side install the cylinder to the cover plate.

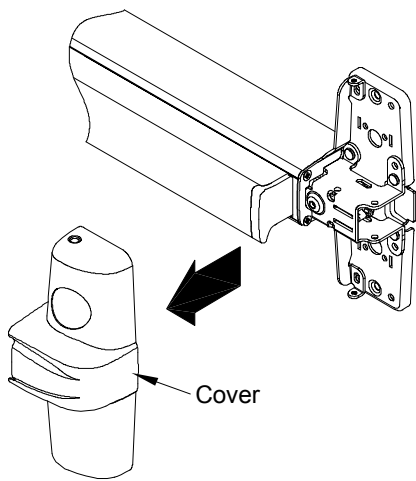
Slide cover plate in position in the mechanism case.

### DOGGING CHECK

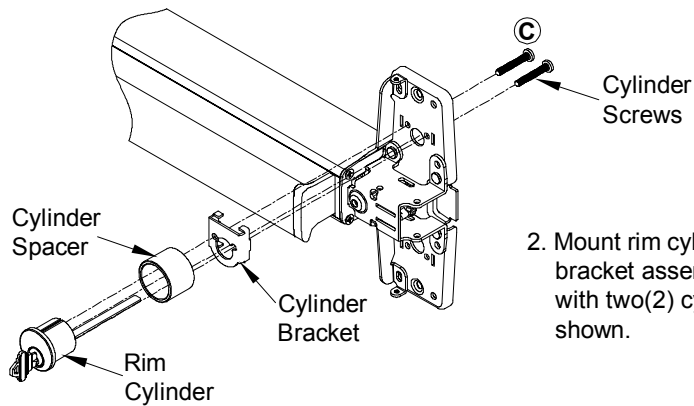


Depress push bar and turn hex wrench or key one full turn for dogging check.

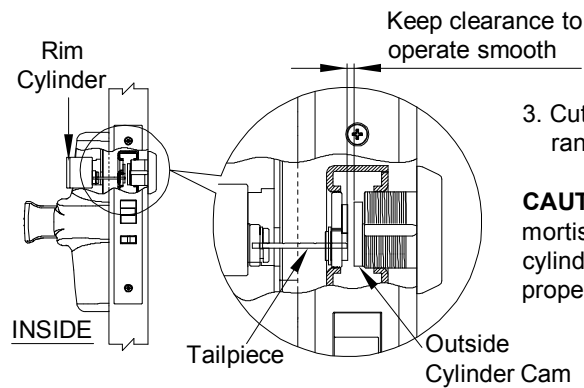
# DOUBLE CYLINDER INSTALLATION



1. Remove cover.



2. Mount rim cylinder to cylinder bracket assembly to center case with two(2) cylinder screws as shown.

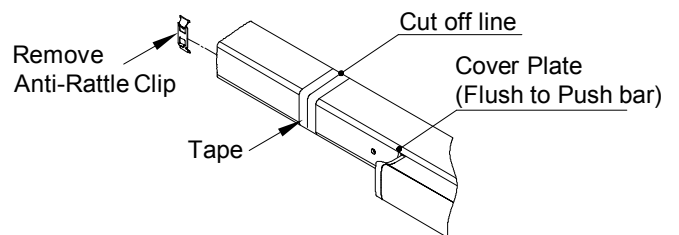
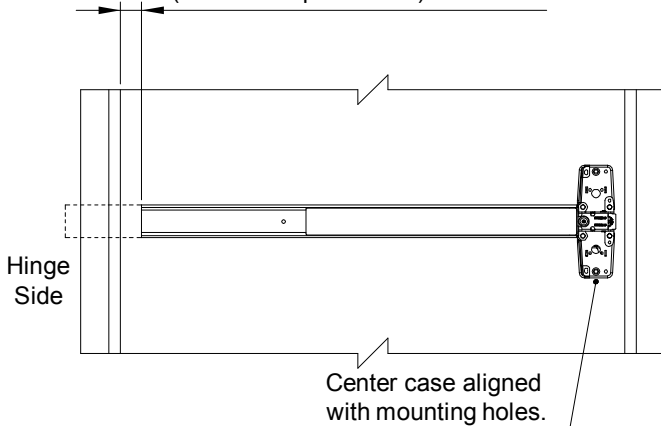


3. Cut off tailpiece for different door ranges and various cylinder lengths.

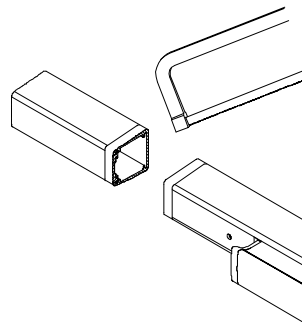
**CAUTION!** If the tailpiece is too far into mortise case and interferes with outside cylinder cam, both cylinders cannot be properly operated.

# CUT DEVICE (IF REQUIRED)

Recommended minimum clearance between frame and device end (with end cap removed) is 1-1/2".



1. With anti-rattle clip removed, tape and mark area being cut.



2. Cut off device and deburr.  
**NOTE:** Device must be cut square for proper end cap fit.

