

FIG 1

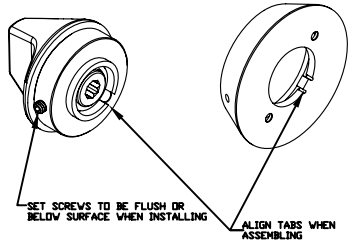
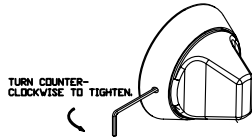
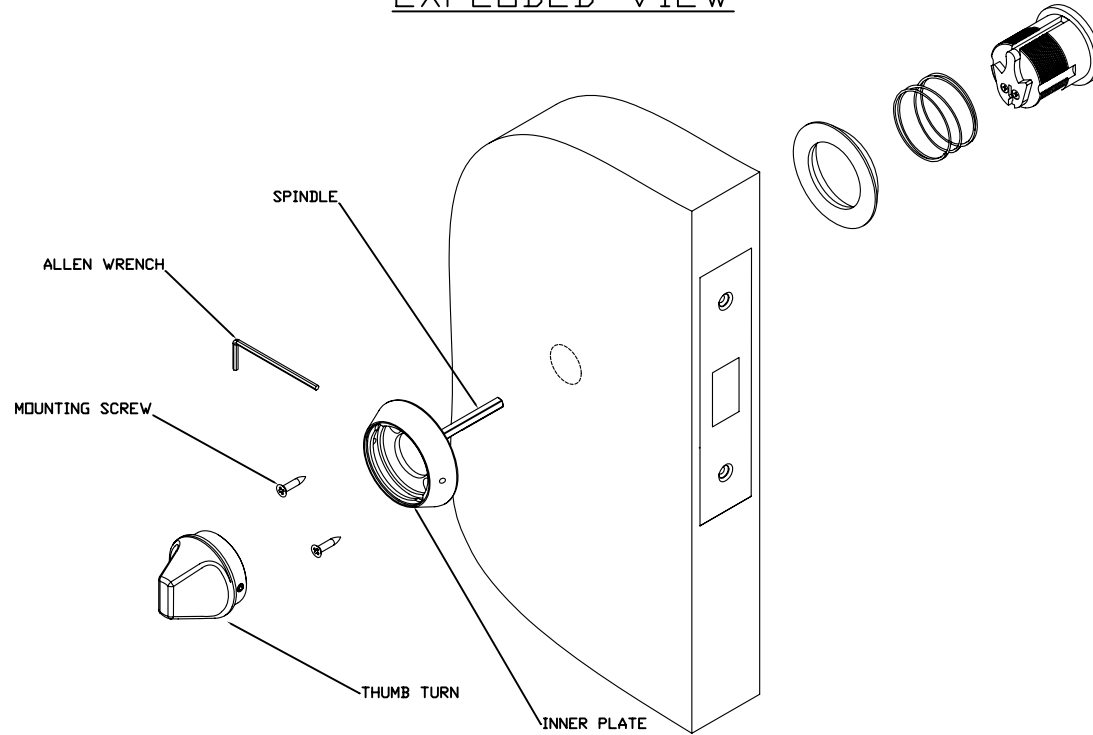


FIG 2

TO BOTH HOLES IN THE ROSE, PLACE A 5/64TH ALLEN WRENCH PROVIDED IN THE SET SCREW THROUGH THE HOLE IN INNER PLATE AND SECURE THE THUMB TURN BY TURNING COUNTER-CLOCKWISE (TO REMOVE ROTATE CLOCKWISE).



EXPLODED VIEW



HOSPITAL THUMB TURN INSTRUCTIONS

1. PREPARE DOOR PER TEMPLATE.
2. CENTER INNER PLATE OVER DOOR HOLE AND LINE UP WITH THE CENTER OF THE HUB FOR THE THUMB TURN. RECOMMEND THAT THE THUMB TURN AND SPINDLE BE INSTALLED TO AID LINING UP WITH THE HUB.
3. HOLD INNER PLATE ONTO THE DOOR AND REMOVE THE THUMB TURN AND SPINDLE. HOLDING THE INNER PLATE IN POSITION MARK LOCATION FOR 2 SMALL PILOT HOLES FOR #6 SCREWS.
4. MOUNT THE INNER PLATE WITH THE 2 SCREWS..
5. INSTALL THE SPINDLE AND THUMB TURN.
6. OPERATE THE LOCK TO ENSURE PROPER INSTALLATION AND ALIGNMENT.
7. TIGHTEN THE THUMB TURN ONTO THE ASSEMBLY- SEE FIG 1 & 2. INSERT THE ALLEN WRENCH THROUGH EACH HOLE (2 IN EACH INNER PLATE) TO ENGAGE THE SET SCREW AND SECURE THE THUMB TURN ASSEMBLY. ROTATE COUNTERCLOCKWISE TO TIGHTEN IN THE ASSEMBLY AND ROTATE CLOCKWISE TO LOOSEN. SEE FIG 1 & 2.
8. CHECK LOCK FOR CORRECT OPERATION BEFORE CLOSING THE DOOR.

REV

DESCRIPTION

DATE

TownSteel

707 N. BARRANCA AVE #6
COVINA, CALIF 91723

DRAFT UNLESS OTHERWISE SPECIFIED: 1" MAX	B	TOLERANCES UNLESS OTHERWISE SPECIFIED:	MATERIAL: NOTED
		X.X (METRIC) =±0.4 X.XX (METRIC) =±0.15	HEAT TREAT: NA
DRAWN BY: SC		FRACTIONS = 1/8 ANGLES = 1/2° ● .12	TITLE: HOSPITAL THUMB TURN ASSY INSTRUCTIONS
DATE: 3/16/09		MACHINED SURFACES 125/ THIRD ANGLE	PART#: HKB-TTURN

THIS DRAWING AND THE INFORMATION CONTAINED THEREON OR DERIVED THEREFROM ARE THE CONFIDENTIAL PROPERTY OF TOWNSTEEL, INC. IT IS NOT TO BE REPRODUCED, OR DISCLOSED TO OTHERS, AND MAY BE USED ONLY FOR THE PURPOSE OF ENABLING THE PARTY TO WHOM IT HAS BEEN LOANED TO QUOTE OR FILL AN ORDER FOR TOWNSTEEL, INC., OR AS MAY BE OTHERWISE AUTHORIZED BY TOWNSTEEL, INC. IN WRITING.