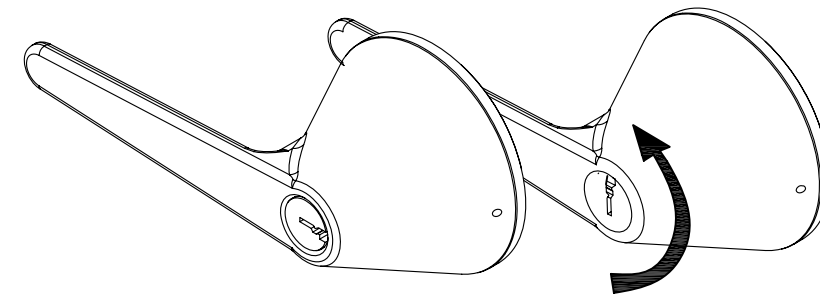


CRXL INSTALLATION GUIDE

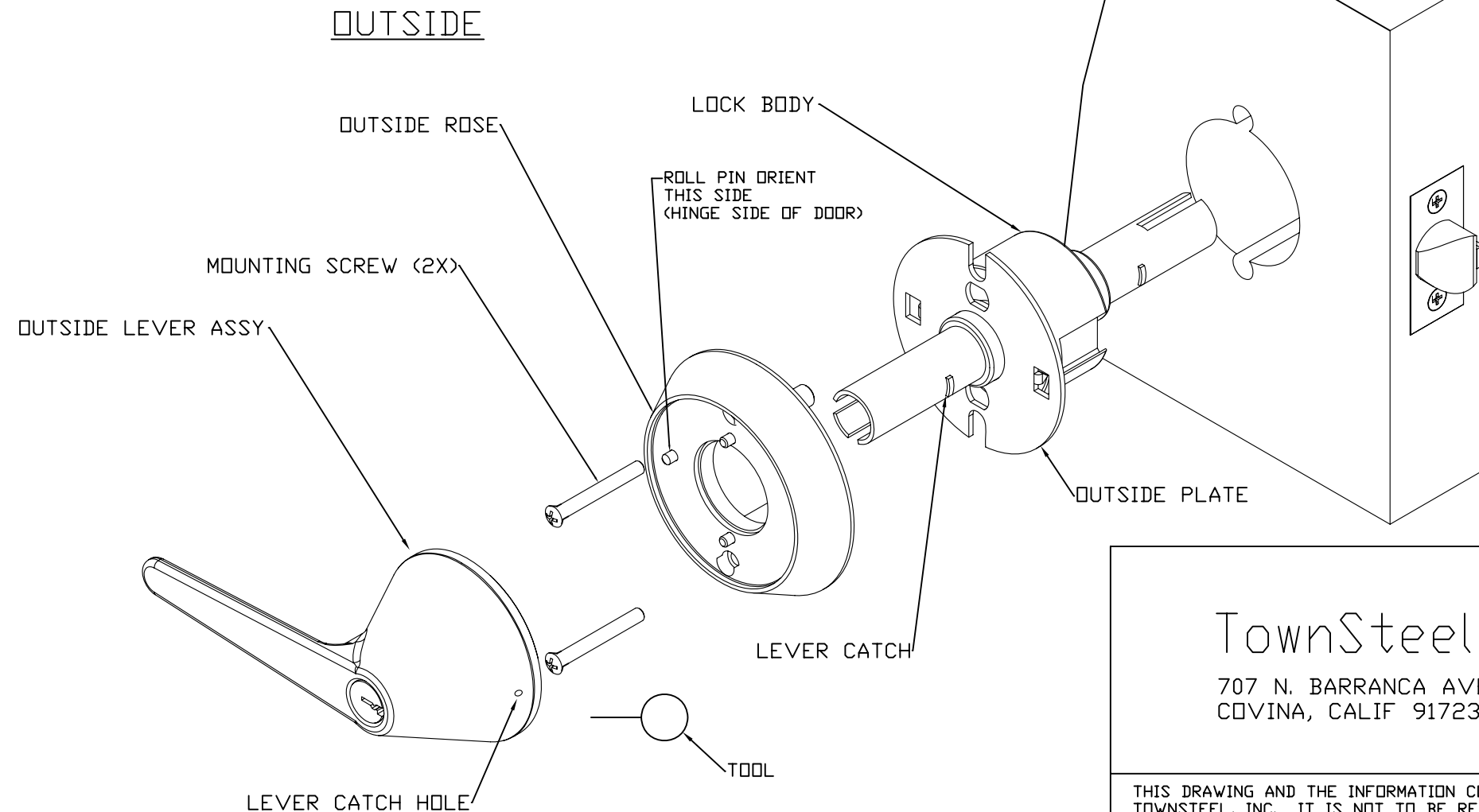
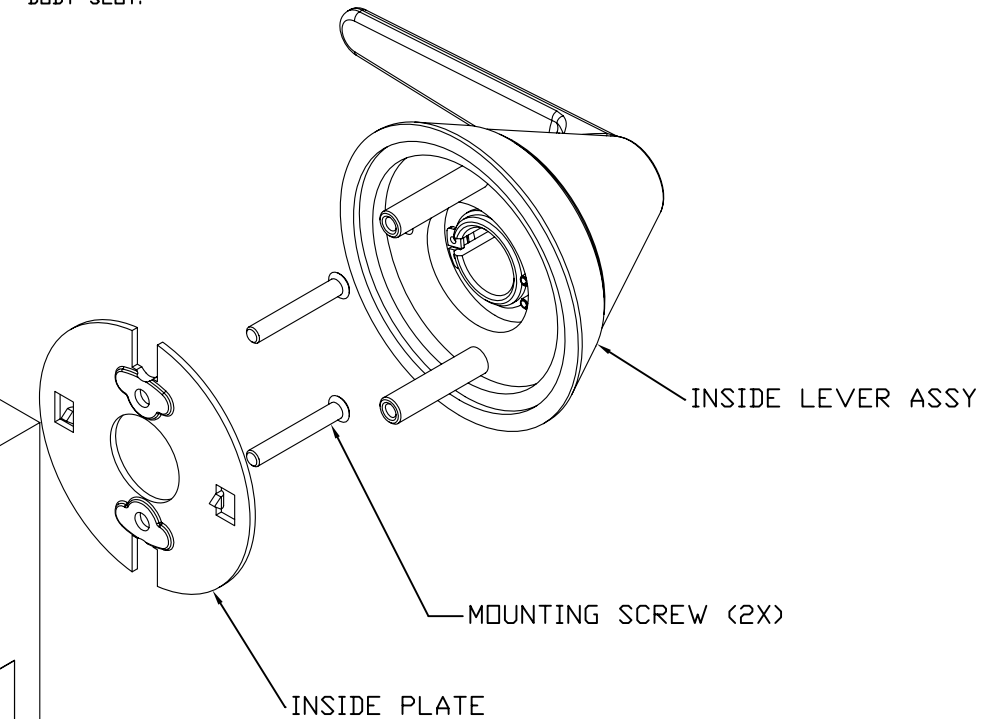
1. PREPARE DOOR ACCORDING TO TEMPLATE.
2. INSTALL LATCH AND SCREW TO DOOR (LEFT HAND MOUNTING SHOWN).
3. INSTALL LOCK BODY (SET UP FOR 1 3/4" DOOR THICKNESS- ADJUSTMENT- SEE STEP 8), ALIGN AS SHOWN IN EXPLODED VIEW.
4. INSTALL INSIDE PLATE AND ALIGN AS SHOWN IN EXPLODED VIEW.
5. INSTALL OUTSIDE ROSE FLUSH TO DOOR FACE- SECURE WITH 2 MOUNTING SCREWS (1 1/2" LONG SCREWS) FROM THE INSIDE. NOTE: ALIGN ROLL PIN NOTED IN EXPLODED VIEW AS SHOWN.
6. INSTALL INSIDE LEVER ASSEMBLY FLUSH TO DOOR FACE- SECURE WITH 2 MOUNTING SCREWS (1 1/2" LONG SCREWS) FROM THE OUTSIDE.
7. PUSH OUTSIDE LEVER ASSEMBLY ONTO THE LOCK BODY. NOTE: IF KEYED ROTATE THE KEY IN THE CYLINDER 90° CCW WHEN PUSHING THE LEVER ASSEMBLY TO SEAT LEVER ON LEVER CATCH (SEE DETAIL A). IMPORTANT- PULL ON LEVER TO ENSURE IT IS SNAPPED IN PLACE (WILL PULL OUT IF NOT SECURED).
8. TO ACCOMMODATE VARIATION - ROTATE THE OUTSIDE PLATE OF THE LOCK BODY- CLOCKWISE IF LEVER IS NOT SECURE AND COUNTER CLOCKWISE IF LEVER HAS EXCESS PLAY.
9. CHECK LOCK FOR CORRECT OPERATION BEFORE CLOSING THE DOOR.

NOTE: TO UNINSTALL LOCK- INSERT TOOL INTO LATCH CATCH HOLE TO PUSH LATCH CATCH IN TO RELEASE LEVER. IF KEYED- ROTATE KEY APPROXIMATELY 90° IN ORDER TO RELEASE THE CATCH PRIOR TO INSERTING THE TOOL.

DETAIL A (FOR KEYED LOCKS)



BEFORE INSTALLING LEVER- ROTATE KEY 90° CCW (KEY NOT SHOWN) AS SHOWN ABOVE. THIS ALLOWS THE CYLINDER TAIL PIECE TO ENGAGE THE LOCK BODY SLOT.



INSIDE

<p>TownSteel 707 N. BARRANCA AVE #6 COVINA, CALIF 91723</p>	DRAFT UNLESS OTHERWISE SPECIFIED: 1° MAX	B	TOLERANCES UNLESS OTHERWISE SPECIFIED: X.X (METRIC) = ±0.4 X.XX (METRIC) = ±0.15 FRACTIONS = ±.8 ANGLES = ±1/2° © .12 MACHINED SURFACES 125/	MATERIAL: NOTED
	DRAWN BY: SC			HEAT TREAT: NA
	DATE: 12/21/09		THIRD ANGLE	FINISH: 32D
				TITLE: CRXL HOSPITAL LEVER ASSY INSTRUCTIONS
				PART#: CRXL

THIS DRAWING AND THE INFORMATION CONTAINED THEREON OR DERIVED THEREFROM ARE THE CONFIDENTIAL PROPERTY OF TOWNSTEEL, INC. IT IS NOT TO BE REPRODUCED, OR DISCLOSED TO OTHERS, AND MAY BE USED ONLY FOR THE PURPOSE OF ENABLING THE PARTY TO WHOM IT HAS BEEN LOANED TO QUOTE ON OR FILL AN ORDER FOR TOWNSTEEL, INC., OR AS MAY BE OTHERWISE AUTHORIZED BY TOWNSTEEL, INC. IN WRITING.