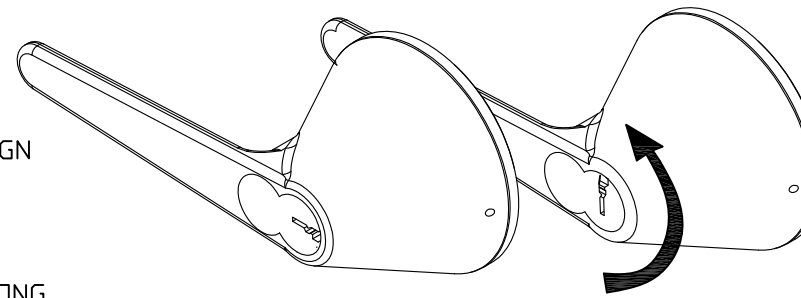


CRXL INSTALLATION GUIDE

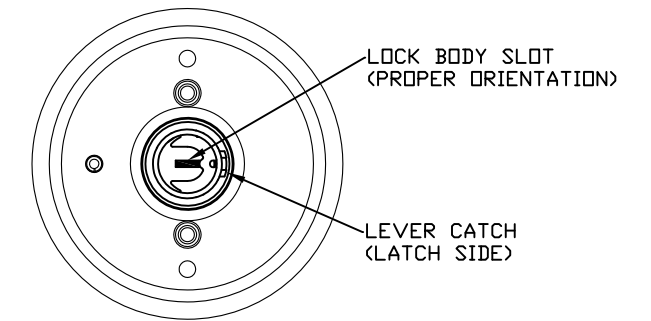
1. PREPARE DOOR ACCORDING TO TEMPLATE.
2. INSTALL LATCH AND SCREW TO DOOR (LEFT HAND MOUNTING SHOWN).
3. INSTALL LOCK BODY (SET UP FOR 1 3/4" DOOR THICKNESS- ADJUSTMENT- SEE STEP 8), ALIGN AS SHOWN IN EXPLODED VIEW.
4. INSTALL INSIDE PLATE AND ALIGN AS SHOWN IN EXPLODED VIEW.
5. INSTALL OUTSIDE ROSE FLUSH TO DOOR FACE- SECURE WITH 2 MOUNTING SCREWS (1 1/2" LONG SCREWS) FROM THE INSIDE. NOTE: ALIGN ROLL PIN NOTED IN EXPLODED VIEW AS SHOWN.
6. INSTALL INSIDE LEVER ASSEMBLY FLUSH TO DOOR FACE- SECURE WITH 2 MOUNTING SCREWS (1 1/2" LONG SCREWS) FROM THE OUTSIDE.
7. PUSH OUTSIDE LEVER ASSEMBLY ONTO THE LOCK BODY. **IMPORTANT-** PULL ON LEVER TO ENSURE IT IS SNAPPED IN PLACE (WILL PULL OUT IF NOT SECURED).
8. TO ACCOMMODATE VARIATION - ROTATE THE OUTSIDE PLATE OF THE LOCK BODY- CLOCKWISE IF LEVER IS NOT SECURE AND COUNTER CLOCKWISE IF LEVER HAS EXCESS PLAY.
9. CHECK LOCK FOR CORRECT OPERATION BEFORE CLOSING THE DOOR.

NOTE: TO UNINSTALL LOCK- ROTATE KEY APPROXIMATELY 90° IN ORDER TO RELEASE THE CATCH PRIOR TO INSERTING THE TOOL, INSERT TOOL INTO LATCH CATCH HOLE IN THE OUTSIDE LEVER TO PUSH LATCH CATCH IN TO RELEASE LEVER.

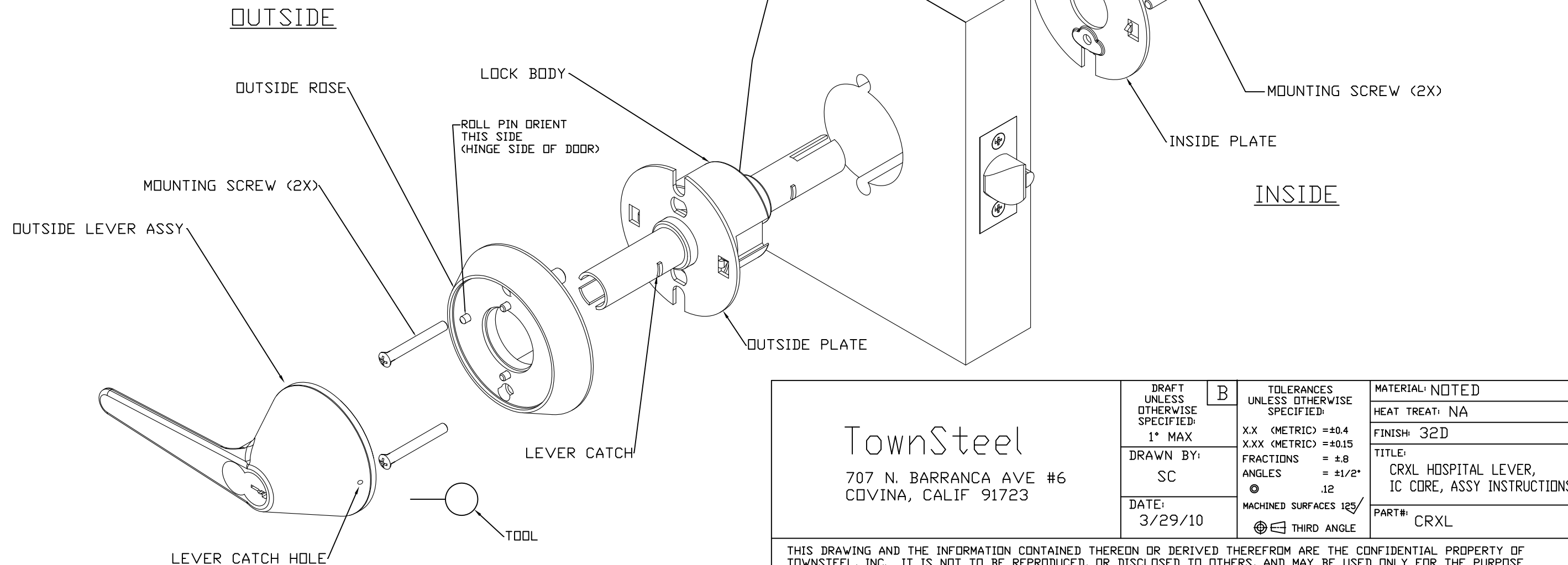
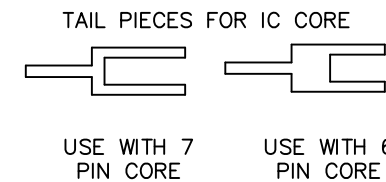
DETAIL A (FOR IC CORE KEYED LOCKS)



TO REMOVE LEVER- ROTATE KEY 90° CCW (KEY NOT SHOWN) AS SHOWN ABOVE. INSERT TOOL INTO LEVER CATCH HOLE TO DISENGAGE LEVER.



BEFORE INSTALLING LEVER- ENSURE LOCK BODY SLOT IS IN THE ABOVE POSITION. FACTORY SHIPPED IN THIS POSITION. (THE LOCK BODY WILL BE IN THE CLUTCHING/LOCKED POSITION)



<p><b>TownSteel</b> 707 N. BARRANCA AVE #6 COVINA, CALIF 91723</p>	DRAFT UNLESS OTHERWISE SPECIFIED: 1° MAX	TOLERANCES UNLESS OTHERWISE SPECIFIED: X.X (METRIC) = ±0.4 X.XX (METRIC) = ±0.15 FRACTIONS = ±.8 ANGLES = ±1/2° ◎ .12 MACHINED SURFACES 125/	MATERIAL: NOTED
	DRAWN BY: SC	B	HEAT TREAT: NA
	DATE: 3/29/10	THIRD ANGLE	TITLE: CRXL HOSPITAL LEVER, IC CORE, ASSY INSTRUCTIONS
			PART#: CRXL

THIS DRAWING AND THE INFORMATION CONTAINED THEREON OR DERIVED THEREFROM ARE THE CONFIDENTIAL PROPERTY OF TOWNSTEEL, INC. IT IS NOT TO BE REPRODUCED, OR DISCLOSED TO OTHERS, AND MAY BE USED ONLY FOR THE PURPOSE OF ENABLING THE PARTY TO WHOM IT HAS BEEN LOANED TO QUOTE ON OR FILL AN ORDER FOR TOWNSTEEL, INC., OR AS MAY BE OTHERWISE AUTHORIZED BY TOWNSTEEL, INC. IN WRITING.